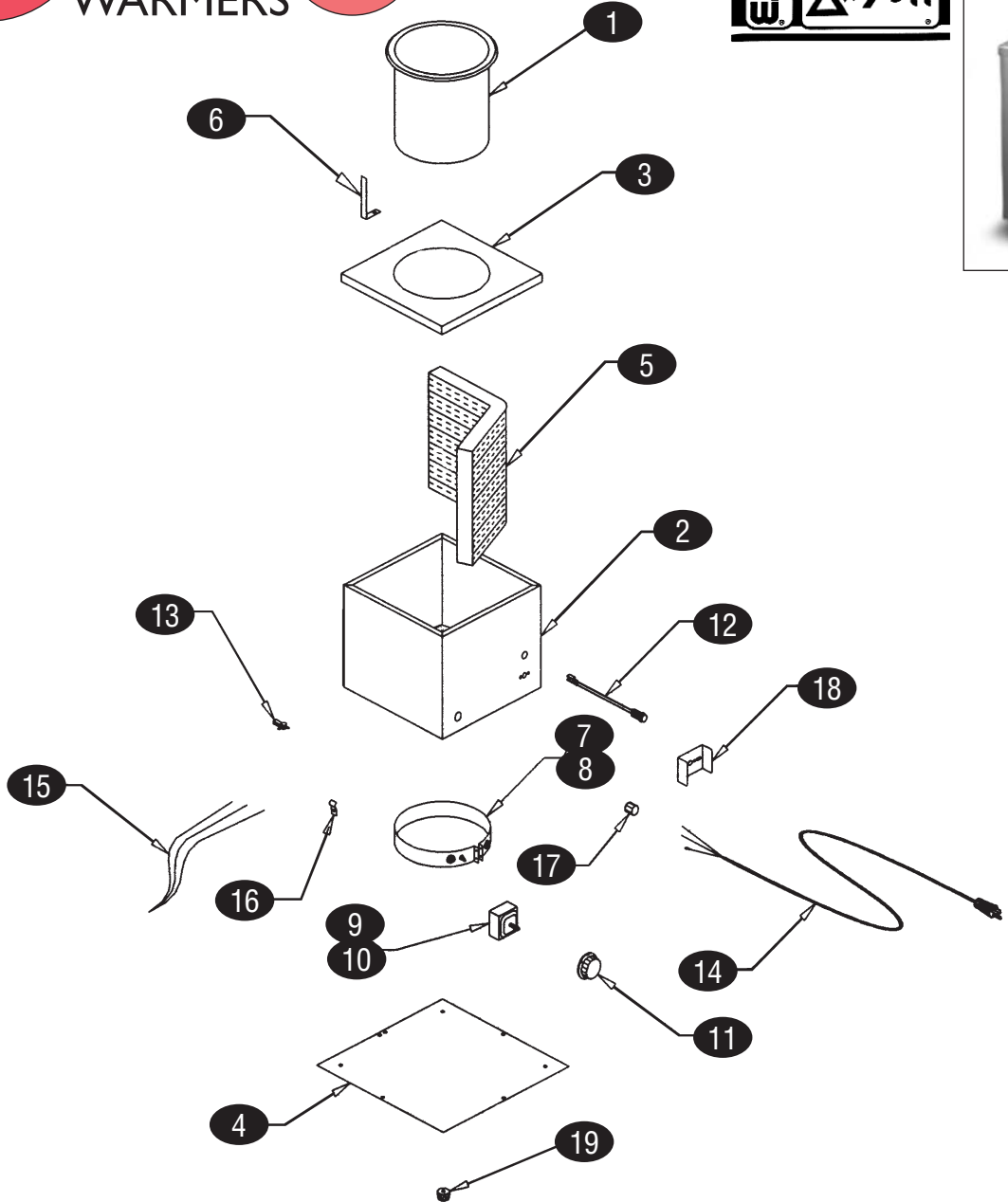


# Warming WARMERS

## W-4 COUNTERTOP WARMER®



KEY	PART #	DESCRIPTION	KEY	PART #	DESCRIPTION
1	APW56693	Well Pot Assembly	15	APW56850	Wire Harness
2	APW56676	Wrapper Assembly	16	APW89120	Jiffy Clip
3	APW56696	Top Assembly	17	APW89101	Strain Relief Bushing
4	APW56679	Bottom cover	18	APW54801	Knob Guard
5	APW56816	Insulation	19	APW55768	Rubber Foot
6	APW56818	Heat Sink		APW89054	Keps Nut, #6-32
7	APW56843	Heating Element, 120V-400W		APW88961	Hex Nut, #10-24 Green
8	APW54024	Band Element, 240V-400W		APW89061	Hex Nut, #10-24
9	APW55564-EGO	Infinite Control, 120V		APW89059	Lockwasher, #10 External
10	APW87053	Infinite Control, 240V		APW89073	Sheet Metal Screw, #8x1/2"
11	APW55825	Infinite Control Knob		APW89087	Binding Machine Screw, #8-32x3/16"
12	APW56530	Indicator Light	n/s	APW40709-92	Pump Assembly, optional
13	APW69107	Limit Thermostat	n/s	APW43593-69	Lid, optional
14	APW55947	Cord, 120V	n/s	APW56847	Lid, Slotted, for Ladle