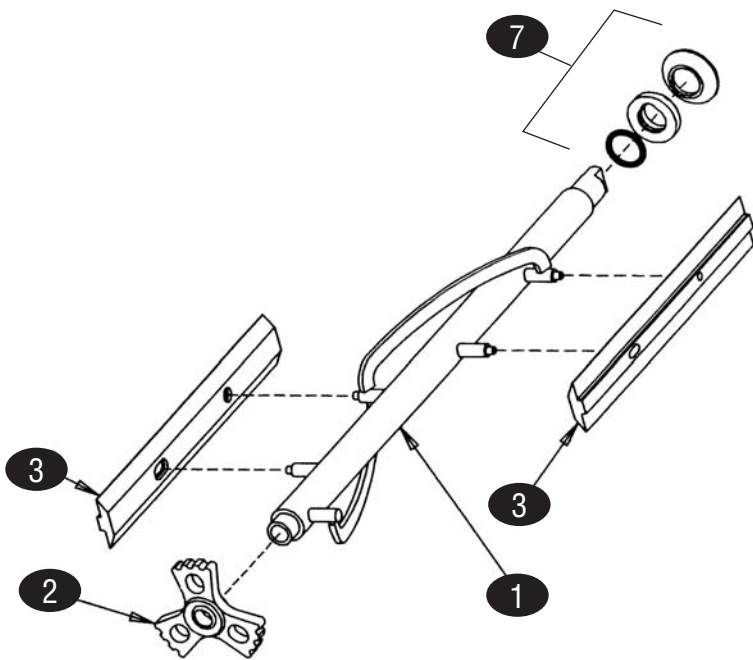
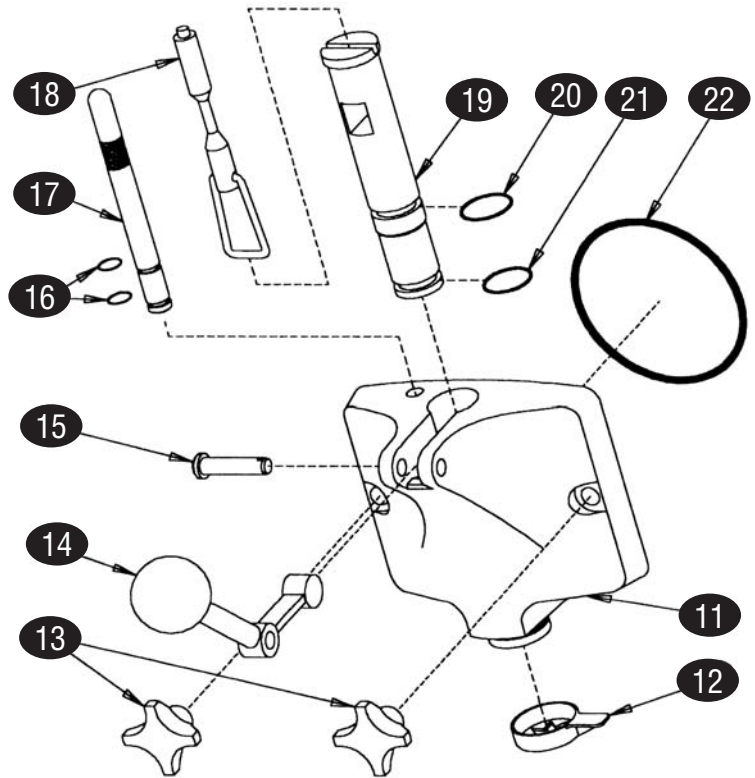


Having your **serial #** ready before ordering ElectroFreeze parts, when calling our sales staff, will ensure speed & accuracy.

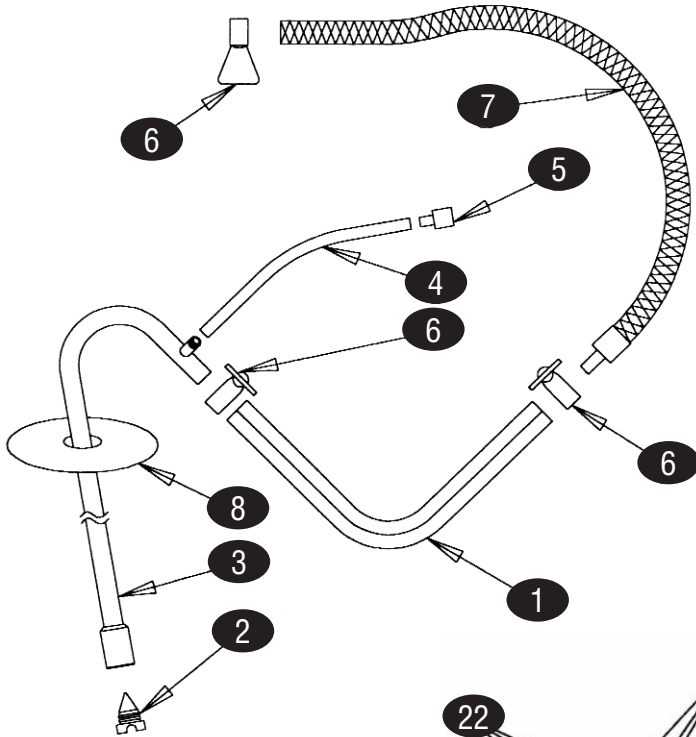


BEATER SHAFT ASSEMBLY

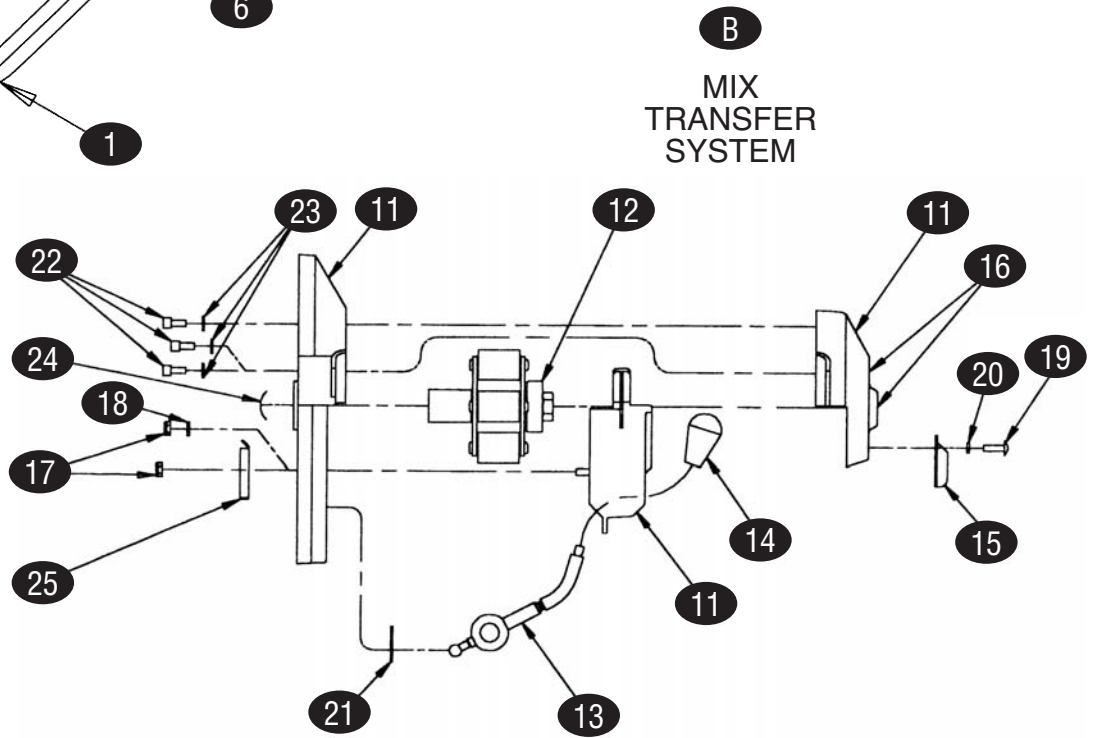


HEAD ASSEMBLY

| KEY | PART # | DESCRIPTION | KEY | PART # | DESCRIPTION |
|-----|----------|---------------------------------------|-----|-------------|----------------------------------|
| 1 | EF113438 | Beater Shaft | 21 | EF160582 | O-Ring, Lower Plunger, pkg of 10 |
| 2 | EF196085 | Cylinder Bushing | 22 | EF159309-01 | O-Ring, Head |
| 3 | EF137334 | Blade Scraper, Soft Serve | n/s | EF116410 | Switch, Head Safety |
| 7 | EF111875 | Shaft Seal Assembly | n/s | EF114341 | Cylinder Stud Assembly, 1-15/16" |
| n/s | EF118902 | Head Assembly Complete, Single Spigot | n/s | EF116100 | Tune Up Kit |
| 11 | EF118566 | Head only | | | |
| 12 | EF196185 | Serrated Nozzle | | | |
| 13 | EF136798 | Hand Knob, Soft Serve side | | | |
| 14 | EF110007 | Dispense Handle Assembly, includes | | | |
| n/s | EF162629 | Ball Knob, Black, 3/8-16", TH | | | |
| 15 | EF160268 | Handle Pin | | | |
| 16 | EF160610 | O-Ring Plug, pkg of 10 | | | |
| 17 | EF138149 | Plug, Air Bleed | | | |
| 18 | EF113426 | Push Rod Assembly, Plunger Switch | | | |
| 19 | EF139581 | Dispense Plunger, Self Close | | | |
| 20 | EF160501 | O-Ring, Upper Plunger, pkg of 5 | | | |

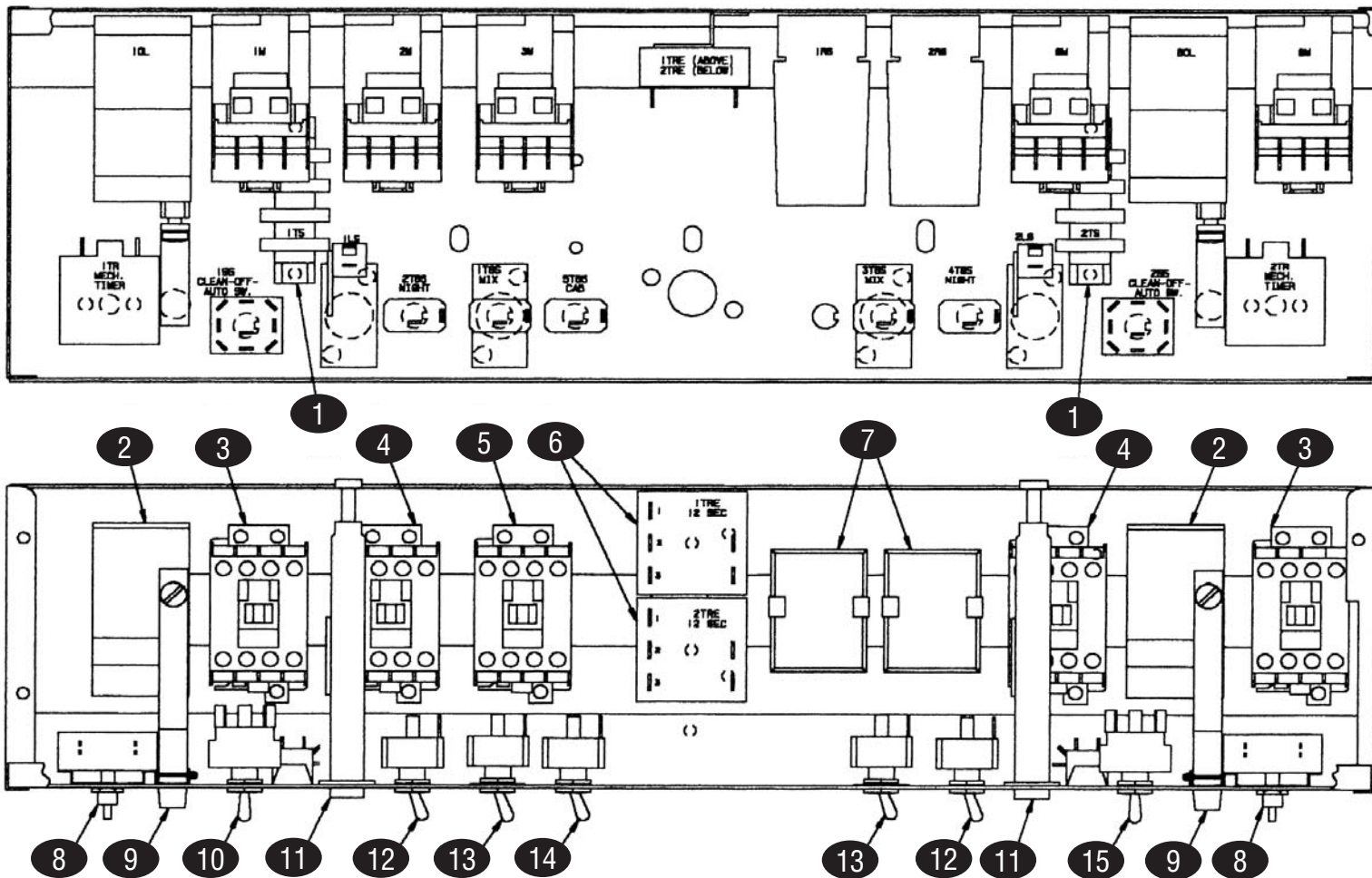


HOSE ASSEMBLY

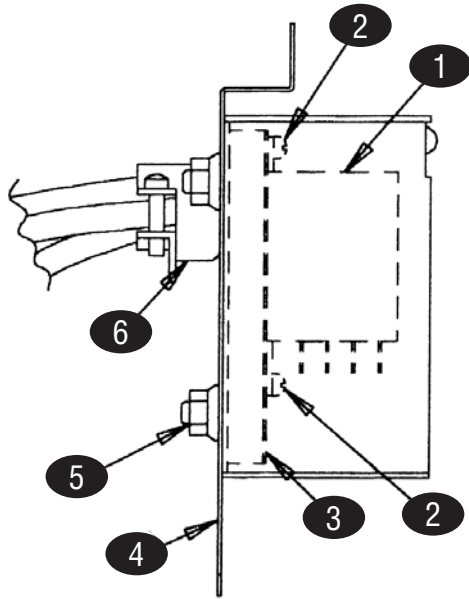


| KEY | PART # | DESCRIPTION | KEY | PART # | DESCRIPTION |
|-----|-------------|--------------------------------|-----|----------|---|
| 1 | EF138184 | Transfer Hose Line, Black | 18 | EF160157 | Washer, 1/2x.196x1/6" |
| 2 | EF199032 | Duckbill Inlet Valve, pkg of 5 | 19 | EF160026 | Screw, TRPM, #10-32x5/8" |
| 3 | EF116069 | Pickup Tube Assembly | 20 | EF160158 | Flat Washer, .190x.365x.075, S/S |
| 4 | EF138170 | Air Tube Hose | 21 | EF138142 | Cover Plate, Pivot |
| 5 | use meter# | Air Meter | 22 | EF160307 | Screw, SKHC, #10-32x7/16", S/S |
| 6 | EF116065 | Soft Hose Clamp Assembly, 5/8" | 23 | EF159962 | Flat Washer, #10, S/S |
| 7 | EF116094 | Hose Assembly, Mix, Braided | 24 | EF160145 | Curved Spring Washer |
| 8 | EF199033 | Boot Seal, Mix Tube | 25 | EF117125 | Slide Actuator Assembly |
| B | EF116012 | MTS Housing Assembly, Complete | n/s | EF159219 | Mounting Screw, MTS, TRPM, 1/4-20x1", S/S |
| 11 | EF117054 | Housing Assy, MTS, w/o Roller | n/s | EF151129 | Gear Motor, MTS |
| 12 | EF116009-01 | Roller Kit, CMT | n/s | EF116312 | Pressure Test Gauge Assembly |
| 13 | EF116164 | Handle Assembly, MTS | n/s | EF116411 | Slide Switch Kit, MTS |
| 14 | EF162627 | Oval Taper Knob, MTS | | | |
| 15 | use meter# | Swing Hook Lock, MTS | | | |
| 16 | EF165018 | Decal, Mix Transfer | | | |
| 17 | EF159421 | Stop Nut, EL, #10-32 | | | |

SWITCH BOX

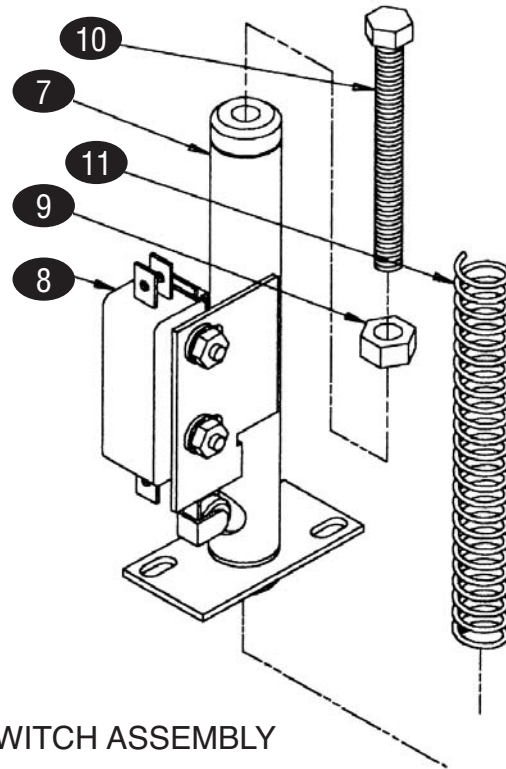


| KEY | PART # | DESCRIPTION | KEY | PART # | DESCRIPTION |
|-----|----------|---|-----|----------|--|
| 1 | EF150795 | Terminal Strip | 8 | EF119256 | Timer, 5 Minute Mechanical |
| 2 | EF118359 | Overload Relay Assy, 1-Phase, 5-15A, includes | n/s | EF162604 | Timer Knob |
| | EF150140 | SS Overload Relay, 1-Phase, 5-15A | 9 | EF118390 | Overload Reset Lever Assembly, includes |
| | EF150145 | Overload Din Rail Adaptor | | EF159036 | Reset Button |
| | EF150150 | Overload Reset Adaptor Button | 10 | EF150465 | Toggle Switch, 3PDT, ON/OFF/ON |
| 2 | EF118361 | Overload Relay Assy, 3-Phase, 3.7-12A, includes | n/s | EF116125 | Filter Assembly |
| | EF150142 | SS Overload Relay, 3-Phase, 3.7-12A | 11 | EF114176 | Self-Closing Plunger Switch Assembly, includes |
| | EF150145 | Overload Din Rail Adaptor | | EF150477 | Roller Actuator Switch, SPDT |
| | EF150150 | Overload Reset Adaptor Button | | EF162323 | Spring Compression |
| 3 | EF150155 | Beater Motor Contactor | 12 | EF159235 | Toggle Switch, SPST, Day/Night |
| 4 | EF150155 | Compressor Contactor | 13 | EF159235 | Toggle Switch, SPST, MTS |
| 5 | EF150155 | Cabinet Contactor | 14 | EF159235 | Toggle Switch, SPST, Cabinet |
| 6 | EF150208 | Timer, 12 Sec Delay on Brake | 15 | EF150465 | Toggle Switch, 3PDT, ON/OFF/ON |
| 7 | EF150202 | Mix Level Indicator | n/s | EF117014 | Cylinder Pressure Switch |
| n/s | EF150119 | Octal Terminal Socket | | | |
| n/s | EF150540 | Indicator Light, 230V | | | |



RELAY BOX

Having your **serial #** ready before ordering ElectroFreeze parts, when calling our sales staff, will ensure speed & accuracy.



SWITCH ASSEMBLY

| KEY | PART # | DESCRIPTION | KEY | PART # | DESCRIPTION |
|-----|----------|----------------------------------|-----|--------|-------------|
| 1 | EF150381 | Relay, MTS | | | |
| 2 | EF160308 | Screw, RDHM #6-32X5/16" Zinc | | | |
| 3 | EF138159 | Bracket, Flange Relay Mounting | | | |
| 4 | EF139805 | Support, MTS | | | |
| 5 | EF159950 | Screw, HXSF, 1/4-20X1/2" Zinc | | | |
| 6 | EF150828 | Connector | | | |
| 7 | EF114174 | Push Rod Guide Assembly | | | |
| 8 | EF150477 | Roller Switch SPDT | | | |
| 9 | EF160104 | Hex Nut, 1/4"-20 Zinc | | | |
| 10 | EF159965 | Screw, HSHM, 1/4-20X2-1/2", Zinc | | | |
| 11 | EF162323 | Spring Compression | | | |

refrigeration

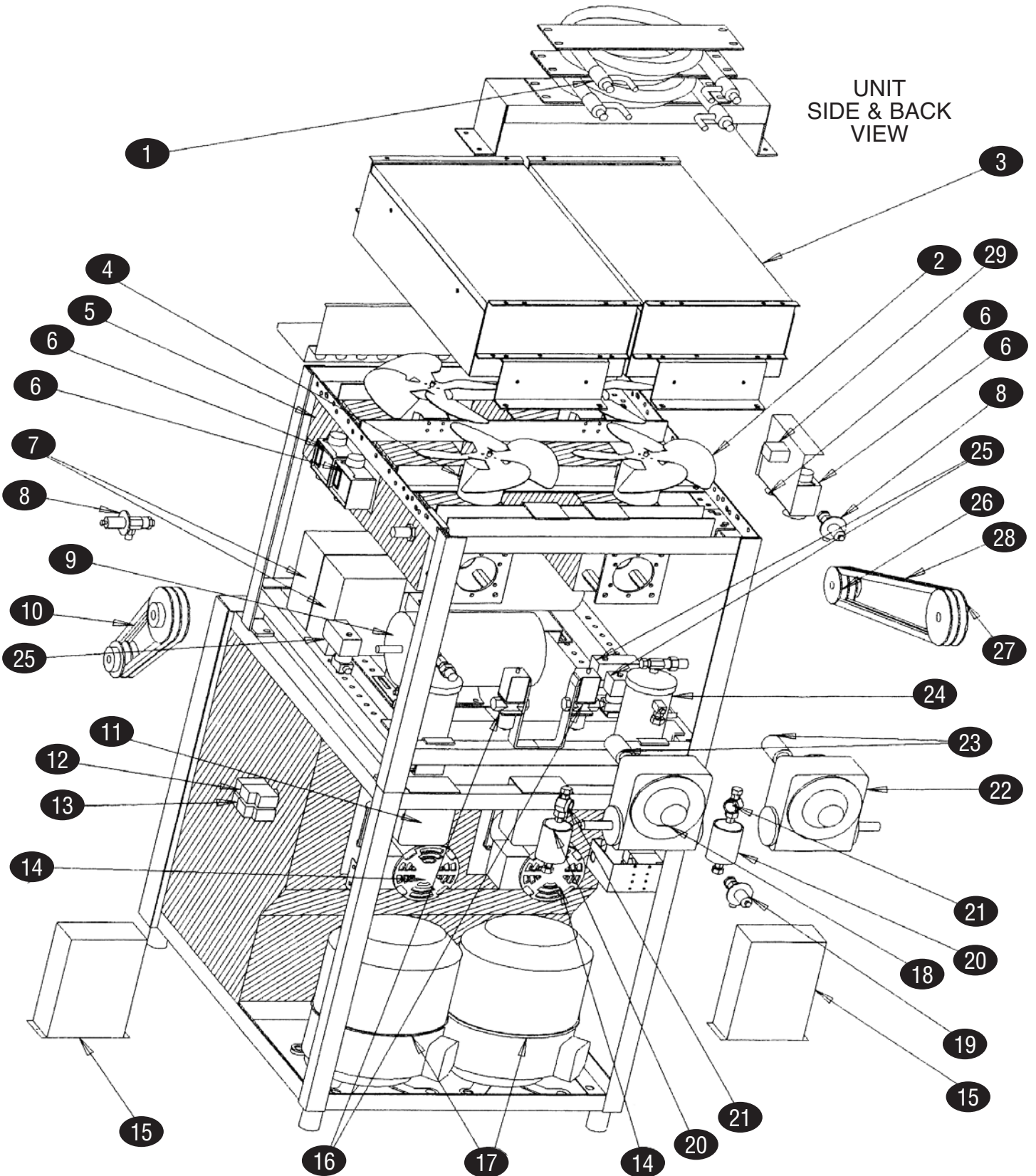
ICE CREAM MACHINE

SOFT SERVE #30CMT

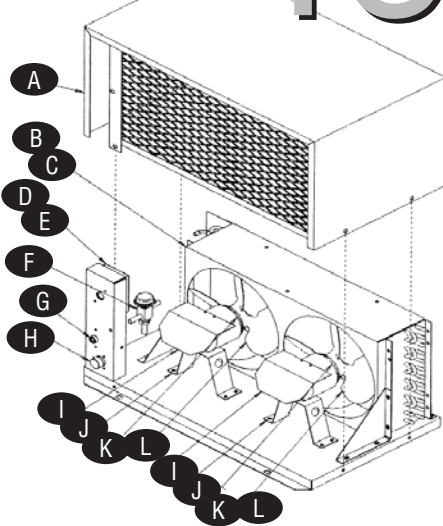
ELECTRO FREEZE

HAGAR

UNIT
SIDE & BACK
VIEW



CONDENSING UNIT



Most Condensers for ElectroFreeze Ice Cream Machines are Special Order. Please specify Model#, Phase & Voltage when ordering.

| KEY | PART # | DESCRIPTION | KEY | PART # | DESCRIPTION |
|-----|-------------|---|-----|----------|------------------------------------|
| 1 | EF155029 | Water Condenser, S1 | 17 | EF155419 | Access Valve |
| 2 | EF159023 | Fan Blade, 11", 36° | | EF118686 | Compressor, 3-Phase, 208/230V |
| 3 | EF155120 | Air Condenser | | EF155054 | Drier Filter |
| 4 | EF151077-01 | Fan Motor, 50W 230V 60Hz | | EF151433 | Grommet, Compressor Mounting |
| 5 | EF117014 | Pressure Switch Kit | | EF151434 | Sleeve, Compressor Mounting |
| n/s | EF116410 | Head Safety Switch | | EF151146 | Maneurop Compressor Mounting Kit |
| 6 | EF119989 | Low Thermostat, Day | 18 | EF153356 | Gear Reducer, RH |
| | EF119989 | Low Thermostat, Night | 19 | EF155449 | Automatic Expansion Valve, Cabinet |
| 7 | EF113442 | Motor Box Assy Capacitors 1-Phase, includes | 20 | EF155054 | Drier Filter |
| | EF150872 | Start Capacitor | 21 | EF155059 | Sight Glass |
| | EF150318 | Run Capacitor | 22 | EF153355 | Gear Reducer, LH |
| 8 | EF155448 | Automatic Cylinder Expansion Valve | 23 | EF111964 | Coupling Assembly, Drive, 1" |
| 9 | EF151052 | Beater Motor, Franklin, 2Hp, 3-Phase | 24 | EF155057 | Receiver, 3lb, 3/8"ID |
| | EF118140 | Motor & Cap Kit 2Hp 1-Phase | | EF155043 | Receiver, 12lb, 1/2" SAE |
| | EF150872 | Start Capacitor | 25 | EF155421 | Solenoid Valve |
| | EF150318 | Run Capacitor | n/s | EF155434 | Solenoid Valve Kit |
| | EF118254 | Beater Motor, Leeson, 2Hp, 3-Phase | 26 | EF153626 | Sheave, 7/8" Bore 3.250D |
| 10 | EF153162 | Pulley Belt, RH | | EF153322 | Key, Drive, 3/16sqX1-1/2" |
| 11 | | MTS Box Assembly (pictured only) | | EF160495 | Screw, SK Set ,5/16"-18x3/8" |
| 12 | EF155425 | High Pressure Cut Out | 27 | EF153625 | Sheave, 5/8" Bore 4.750D |
| 13 | EF155403 | Low Pressure Cut Out | | EF153322 | Key, Drive 3/16sqX1-1/2" |
| 14 | EF151129 | Gearmotor 1/8Hp | | EF160495 | Screw, SK Set, 5/16-18x3/8" |
| 15 | EF151362 | Capacitor & Relay Box Assy, 1-Phase, includes | 28 | EF153171 | V-Belt, Set of 2 |
| | EF150398 | Start Capacitor | 29 | EF119310 | Thermostat, Cabinet |
| | EF150399 | Run Capacitor | n/s | EF117133 | Condensate Pan Assembly |
| | EF150401 | Start Relay | n/s | EF161216 | Thermistor Sensor, 10K |
| | EF151447 | Run Capacitor, 1-Phase | A | EF117207 | Condenser Cover Assembly |
| | EF151448 | Compressor Start Cap & Relay Kit, 1-Phase | B | EF155120 | Air Condenser |
| 16 | EF112080 | Water Valve Assembly, includes | C | EF138465 | Fan Shroud |
| | EF155410 | Water Valve, 3/8" | D | EF150732 | Electric Box, 2-3/4x4-1/2x2" |
| n/s | EF155444 | Water Valve Repair Kit | E | EF150737 | Electric Box Cover, 2-3/4x4-1/2" |
| 17 | EF118234 | Compressor Assembly 1-Phase, includes | F | EF155454 | Head Pressure Control Valve |
| | EF151632 | Capacitor & Relay Box Assembly | G | EF153420 | Refr. Coupling, 3/8MQC /8SW |
| | EF155054 | Drier Filter | n/s | EF140039 | Coupling, Mounting Plate |
| | EF155419 | Access Valve | H | EF153418 | Refr. Coupling, 1/2MQC, 1/2SW |
| 17 | EF118685 | Compressor Assembly, 1-Phase, 208/230V | I | EF139017 | Motor Rain Shield |
| | EF151447 | Run Capacitor | J | EF137632 | Bracket, Fan Condenser |
| | EF151448 | Compressor Start Cap & Relay Kit | K | EF151072 | Fan Motor, 50W 230V 60 Hz |
| | EF155054 | Drier Filter | L | EF159029 | Fan Blade, 11"dia, 36° |
| 17 | EF118235 | Compressor, 3-Phase, includes | | | |
| | EF155054 | Drier Filter | | | |

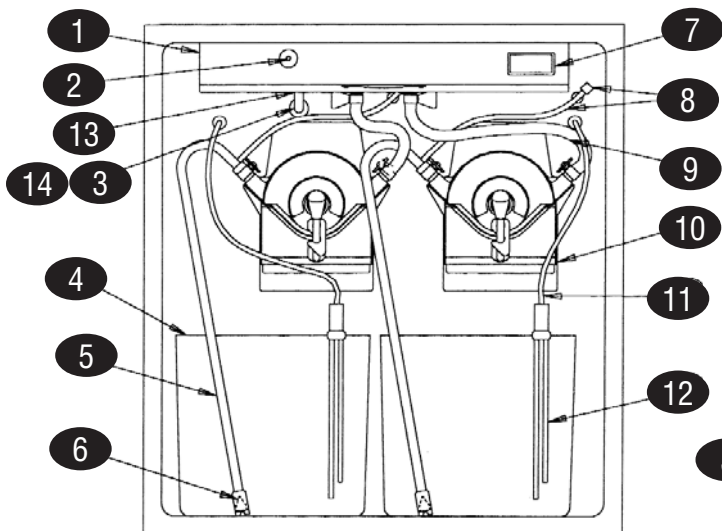
refrigeration

ICE CREAM MACHINE

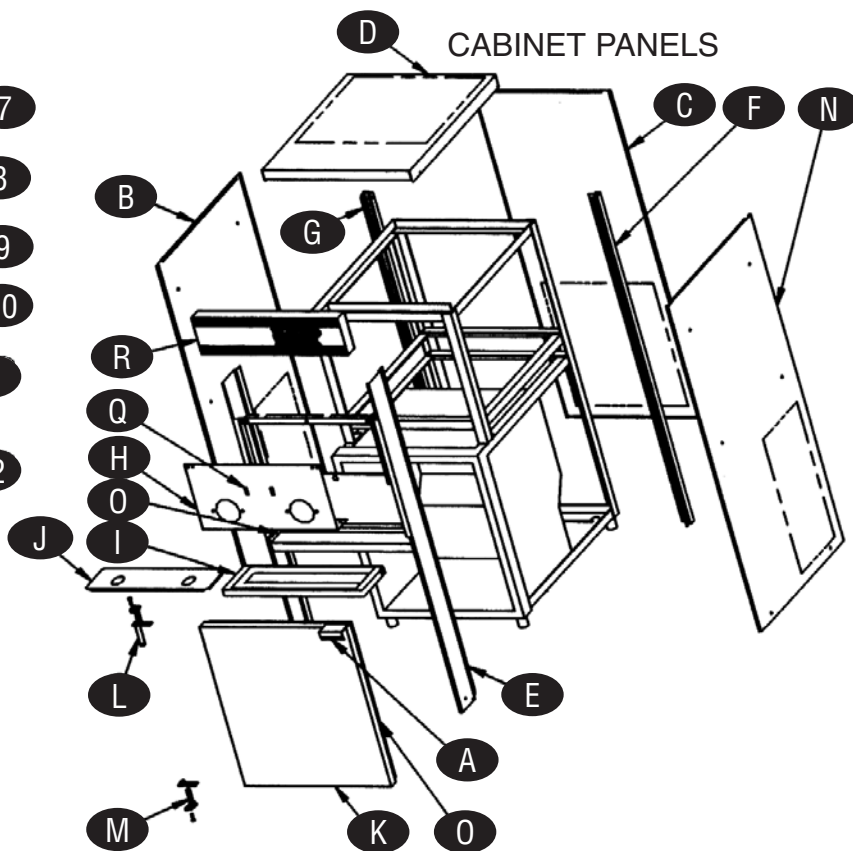
SOFT SERVE #30CMT

HAGAR

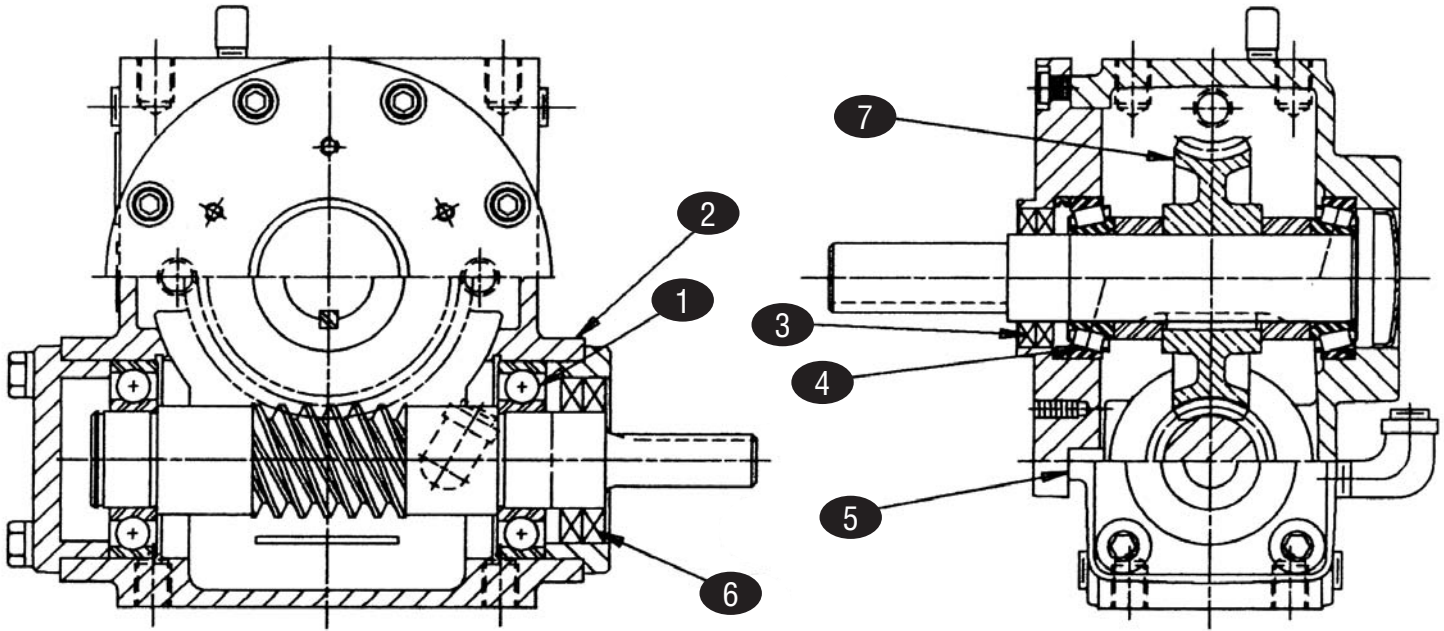
ELECTRO FREEZE



CABINET PARTS



| KEY | PART # | DESCRIPTION | KEY | PART # | DESCRIPTION |
|-----|-----------------|--|-----|-------------|--|
| 1 | EF117129 | Evaporator Shroud Assembly, includes | A | EF136199 | Door Pull |
| | EF150532 | Male Plug Cord Assembly | B | EF136289-C | Side Panel, LH |
| | EF151105 | Intake Fan Blade | C | EF136313-C | Rear Panel |
| | EF151076 | Open Fan Guard | | EF138982 | Upper Rear Panel |
| | EF161004 | Thermometer-Barrel | | EF138983 | Lower Rear Panel |
| | EF150533 | Female Plug Cord Assembly | D | EF114157 | Top Panel Assembly, Water or Air Cooled remote |
| | EF155111 | Evaporator Coil | | EF116567-C | Top Panel Assembly, Air Cooled |
| 2 | EF119163 | Door Push Button Switch | E | EF113983-C | Front Panel Assembly |
| | EF118597 | Door Switch Actuator Assembly | F | EF130021-C | Rear Channel, RH |
| 3 | EF196068 | Tubing | G | EF135254-C | Rear Channel, LH |
| 4 | EF196222 | Mix Tank, 7gal, 13-1/4" | H | EF139221 | Dispense Panel |
| | EF113997 | Mix Tank Front Cover Assembly | I | EF196108 | Drip Tray, Black, 26" |
| | EF138165 | Rear Mix Tank Cover | J | EF114608 | Drip Tray Insert Assembly, includes |
| | EF199033 | Mix Tube Boot Seal | | EF136898 | Drip Tray Insert |
| 5 | EF116069 | Pickup Tube Assembly | | EF199030 | Rubber Bumper |
| | EF116065 | Butterfly Clamp, 5/8" | K | EF114260-C | Complete Door Assembly, includes |
| 6 | EF199032 | Duckbill Inlet Valve, Pkg of 3 | | EF136199 | Door Pull |
| 7 | EF161004 | Barrel Cabinet Thermometer | | EF160563 | Magnetic Gasket |
| 8 | EF138170 | Air Tube Hose | | EF118597 | Door Switch Actuator Assembly |
| 8A | order by meter# | Air Meter | L | EF162045 | Hinge, Pivot, 1-3/8" Top, includes |
| 9 | EF116094 | Mix Braided Hose Assembly | | EF162052 | Spring, LH |
| | EF138184 | Transfer Hose, Black Striped | M | EF162046 | Hinge, Pivot, 1-3/8" Bottom |
| | EF116065 | Butterfly Clamp, 5/8" | N | EF136216-C | Side Panel RH |
| 10 | | MTS (pictued only) | O | EF160563 | Magnetic Gasket |
| 11 | EF150537 | Mix Level Probe Cordset | P | EF114374 | Drain Tube Assembly |
| | EF150536 | Molded Level Sensor Receptacle | Q | EF150540 | Mix Indicator Lights |
| 12 | EF115397 | Mix Level Probe Assy, 7gal, 10-3/4" includes | R | EF115292-03 | EF Decal Trimpstrip Assembly 26" |
| 13 | EF160738 | Drain Hose Clamp | | EF165188-01 | Trimstrip EF Logo Decal 26" |
| 14 | EF138919 | Drain Tube Support | | | |



GEAR REDUCERS

Having your **serial #** ready before ordering ElectroFreeze parts, when calling our sales staff, will ensure speed & accuracy.

| KEY | PART # | DESCRIPTION | KEY | PART # | DESCRIPTION |
|-----|----------|-----------------------------------|-----|--------|-------------|
| 1 | EF153065 | Ball Bearing, 1.378IDx2.835OD | | | |
| 2 | EF153066 | Gasket, High Speed | | | |
| 3 | EF153071 | Seal, Slow Speed | | | |
| 4 | EF153068 | Bearing Cone, Slow Speed, 1.25" | | | |
| n/s | EF153069 | Bearing Cup, Slow Speed, 2.328" | | | |
| 5 | EF153070 | Gasket, Slow Speed | | | |
| 6 | EF153067 | Seal, High Speed | | | |
| 7 | EF153301 | Gear, Slow Speed | | | |
| | EF118742 | Gasket Kit, Reducer, Model HCD926 | | | |
| | EF158055 | Oil Lube, Special Gear | | | |