

KEY	PART #	DESCRIPTION	KEY	PART #	DESCRIPTION
1	EF116172	Head Dispense, Shake side	14	EF132616	Spindle Screw, Motor Spinner
2	EF196072	Bushing, Beater Bearing	15	EF196066	Plug, Air Relief
3	EF160622	O-Ring Head	16	EF162625	Knob, Hand
4	EF160582	O-Ring Plunger, Lower, pkg of 10	n/s	EF114341	Cylinder Stud Assembly, #1-15/16"
5	EF160501	O-Ring Plunger, Upper, pkg of 5	17	EF160621	O-Ring, Air Relief Plug
6	EF136922	Plunger, Dispensing	18	EF135182	Post Pivot (optional)
7	EF114340	Push Rod Assembly, Plunger Switch	19	EF135070	Guide Pin (optional)
8	EF119324	Spindle Assembly, 16oz	20	EF160554	O-Ring (optional), pkg of 10
	EF119324-01	Spindle Assembly, 22oz	21	EF116236	Dispense Head Assembly (incl. #1-6, 10-12, 15 & 19)
	EF119324-02	Spindle Assembly, 6-1/2", 24oz	22	EF137362	Scraper Blade, Shake Side, 3-Hole
	EF119324-03	Spindle Assembly, 24oz	23	EF112789	Beater Assembly, Shake Side, Short
9	EF160555	O-Ring, Spindle/Pivot Post	27	EF111875	Shaft Seal Assembly
10	EF113123	Handle Assembly, Spindle Head	n/s	EF115540	O-Ring Kit, Shake side
11	EF160554	O-Ring, Keeper	n/s	EF150438	Momentary Switch
12	EF113435	Keeper Assembly, Spindle			
13	EF116101	Spinner, Plastic			

refrigeration

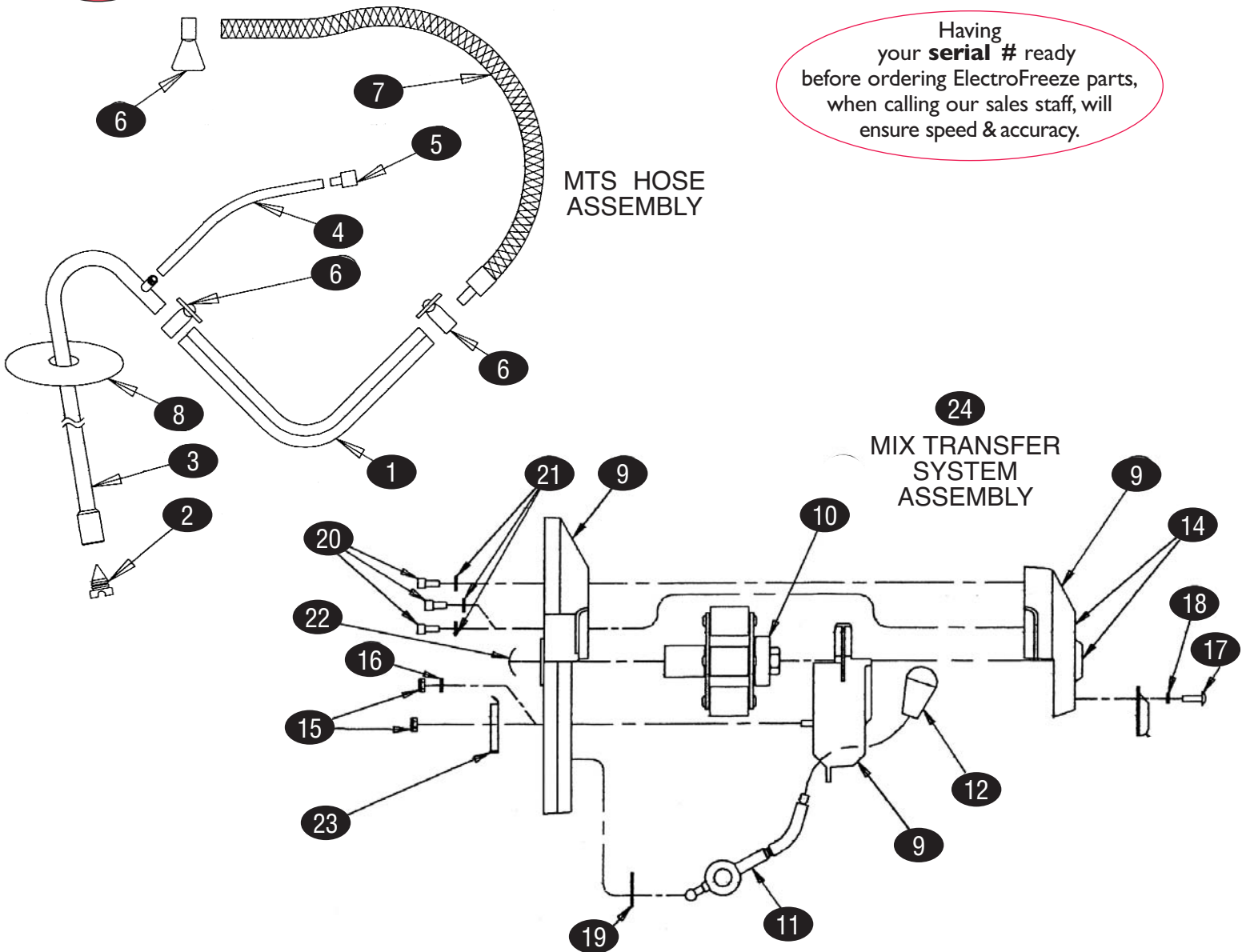
ICE CREAM MACHINE

SOFT SERVE #15-77CMT

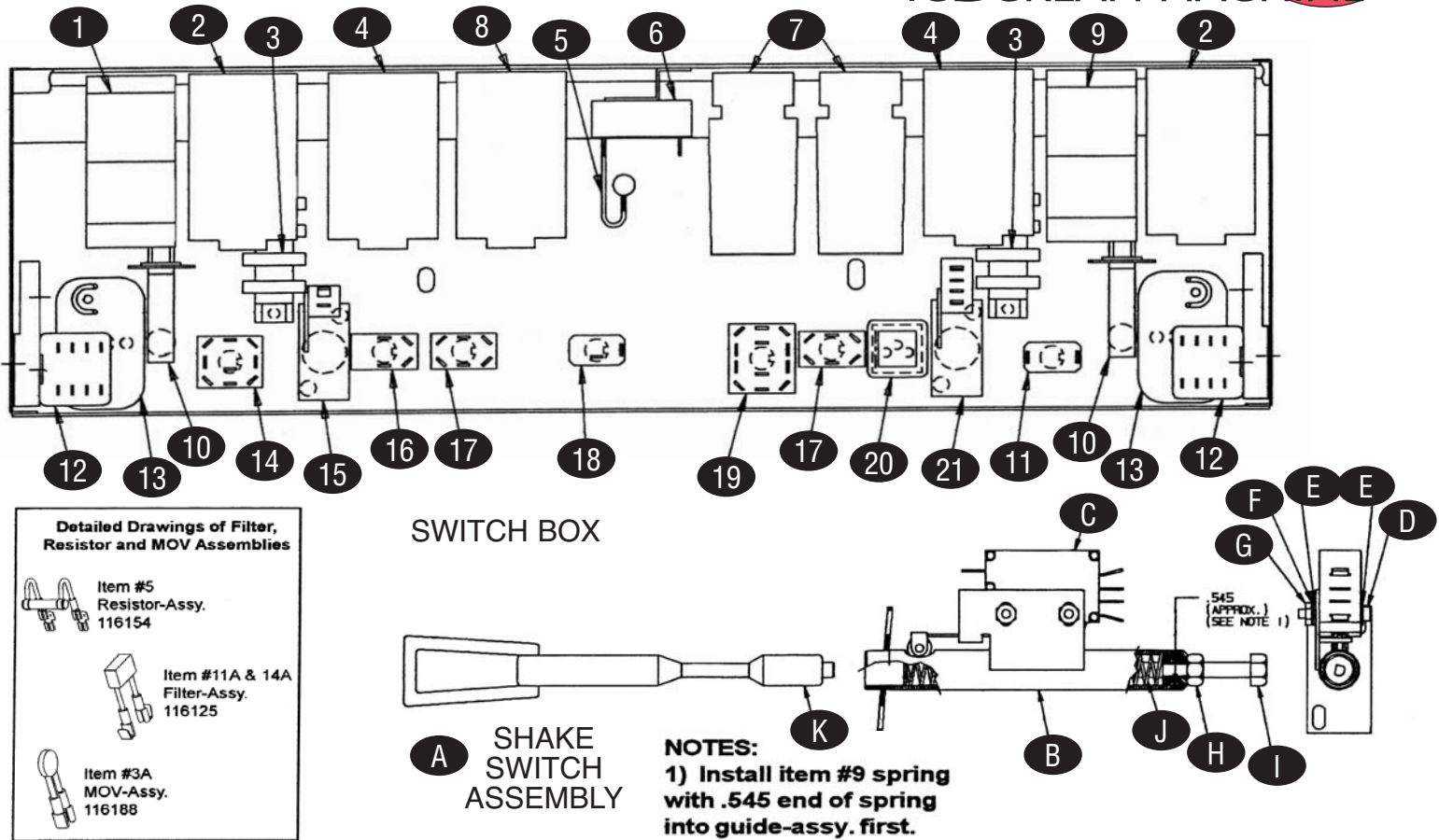
HAGAR

ELECTRO FREEZE

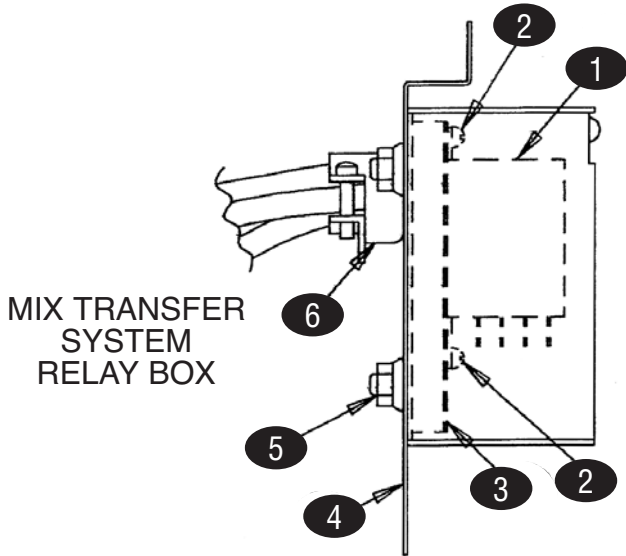
Having your **serial #** ready before ordering ElectroFreeze parts, when calling our sales staff, will ensure speed & accuracy.



KEY	PART #	DESCRIPTION	KEY	PART #	DESCRIPTION
1	EF38184	Transfer Hose, Line, Black	17	EF160026	Screw, TRPM
2	EF199032	Inlet Valve, Duckbill, pkg of 5	18	EF160158	Washer, Flat
3	EF116069	Tube Assembly, Pickup	19	EF138142	Plate, Pivot Cover
4	EF138170	Tube Hose, Air	20	EF160307	Screw, SKHM
5	use meter #	Air Meter	21	EF159962	Washer, Flat
6	EF116065	Clamp Assembly, Soft HOse, 5/8"	22	EF160145	Washer, Curved
7	EF116094	Braided Mix Hose Assembly	23	EF117125	Actuator Assembly
8	EF199033	Tube Seal, Boot Mix	24	EF116012	Mix Transfer System, Complete Housing
9	EF117054	Housing Assembly, MTS, w/out Roller	n/s	EF159219	Screw, TRPM, 1/4-20x1, MTS Mounting, S/S
10	EF116009-01	Roller Kit	n/s	EF151129	Gearmotor, MTS, S/S
11	EF116164	Handle Assembly, Round	n/s	EF138369	Alignment Bushing
12	EF162627	Hand Knob, Oval	n/s	EF116312	Gauge Assembly, Pressure Test
14	EF165018	Decal	n/s	EF116411	Slide Switch Kit, MTS
15	EF159421	Nut, Stop			
16	EF160157	Washer			
n/s	EF160026	Screw			

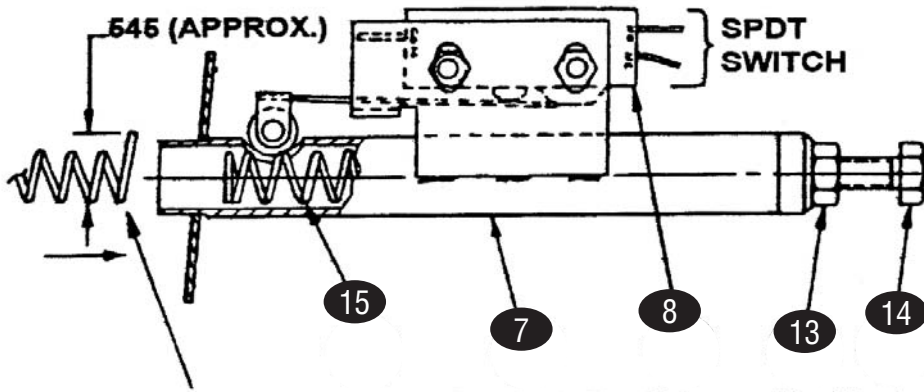


KEY	PART #	DESCRIPTION	KEY	PART #	DESCRIPTION
1	EF118359	Overload Relay Assembly, 1-Phase	11	EF150438	Switch, Momentary Push SPST
n/s	EF150140	SS Overload Relay, 1-Phase 5-15A	12	EF150381	Relay, MTS
n/s	EF150145	Overload Adaptor, Din Rail	13	EF119256	Timer, 5 min
n/s	EF150150	OL Reset Button	n/s	EF162604	Knob Timer
n/s	EF118361	Overload Relay Assembly, 3-Phase, 3.7-12A	14	EF150465	Toggle Switch, On/Off/On, 3PDT
n/s	EF150142	SS Overload Relay, 3-Phase, 3.7-12A	15	EF114176	Switch Assembly, Self Closing Plunger
n/s	EF150145	Overload Adaptor, Din Rail	n/s	EF150477	Roller Actuator Switch, SPDT
n/s	EF150150	Overload Reset Button	n/s	EF162323	Spring Compression
2	EF150155	Contactor, Beater Motor	16	EF150435	Toggle Switch, DPST
3	EF150795	Strip, Terminal	17	EF150463	Toggle Switch, DPDT
4	EF150155	Contactor, Compressor	18	EF159235	Toggle Switch, Pump, SPST
n/s	EF150134	Replacement Coil	19	EF150436	Toggle Switch, Center Off, 4PTD
5	EF116154	Resistor Assembly	20	EF150501	Harness, Receptacle Wiring
6	EF150208	Timer, 12 Second, DOB	A	EF115688	Switch Assembly, Plunger Shake Press.
7	EF150202	Indicator, Mix Level	n/s	EF150478	Switch Roller Actuator DPDT
n/s	EF150119	Octal Socket for Timer	n/s	EF162323	Spring Compression
n/s	EF150120	Clip Retainer	B	EF114270	Guide Assembly, Push Rod
n/s	EF150540	Light, Mix Level, 230V	C	EF150478	Roller Switch Actuator, DPDT
8	EF150155	Contactor, Cabinet	D	EF160381	Screw, SKHC, #6-32x1 BKOX
9	EF118359	Overload Relay Assembly, 1-Phase, 5-15A	E	EF160393	Flat Washer, #6 Brass
n/s	EF150140	SS Overload Assembly, 1-Phase, 5-15A	F	EF160392	Washer, Tooth Ext., #6 Zinc
n/s	EF150145	Overload Adaptor, Din Rail	G	EF160309	Hex Nut, 36-32, Zinc
n/s	EF150150	Overload Reset Button	H	EF160104	Hex Nut, 1/4x20, Zinc
n/s	EF118360	Overload Relay Assembly, 3-Phase, 1.6-5A	I	EF159993	Screw, HXHM, 1/4-20x2-3/4"
10	EF118390	Lever, Reset & Button	J	EF159374	Spring, Plunger, 7/16x4"
n/s	EF159036	Reset Button	K	EF114340	Push Rod Assembly, Plunger Switch



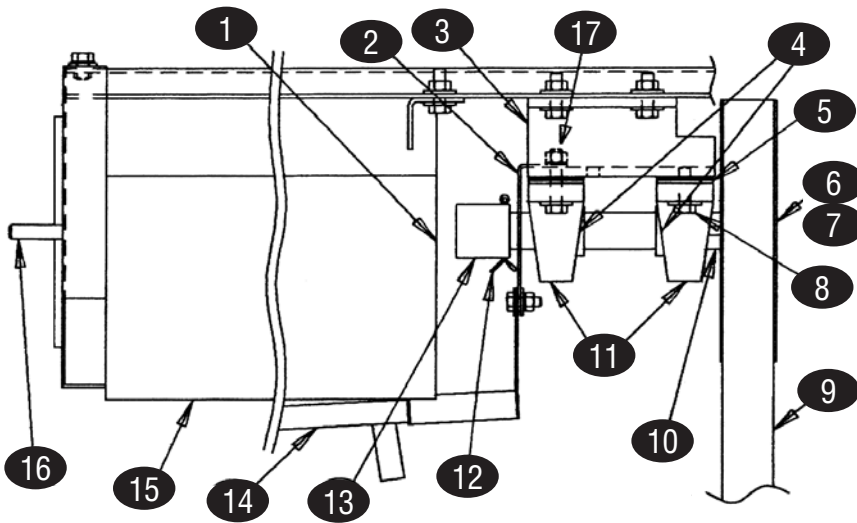
Having your **serial #** ready before ordering ElectroFreeze parts, when calling our sales staff, will ensure speed & accuracy.

16
SOFT SERVE SWITCH ASSEMBLY

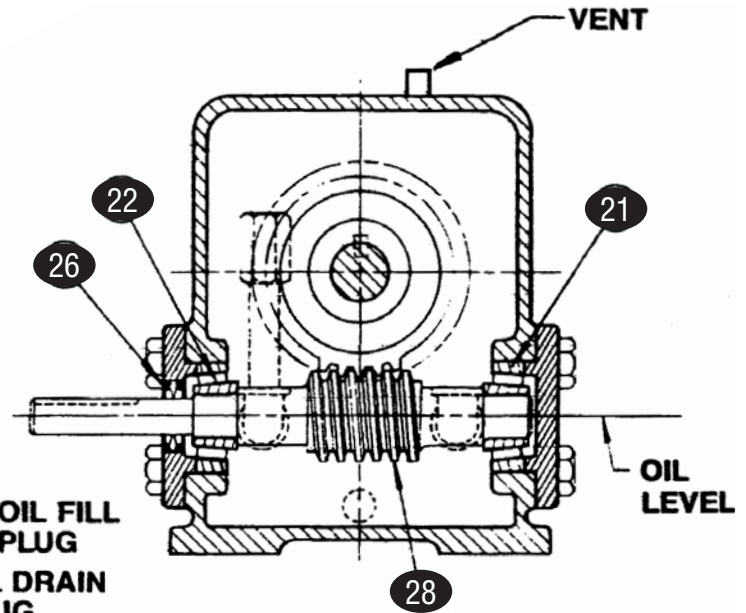
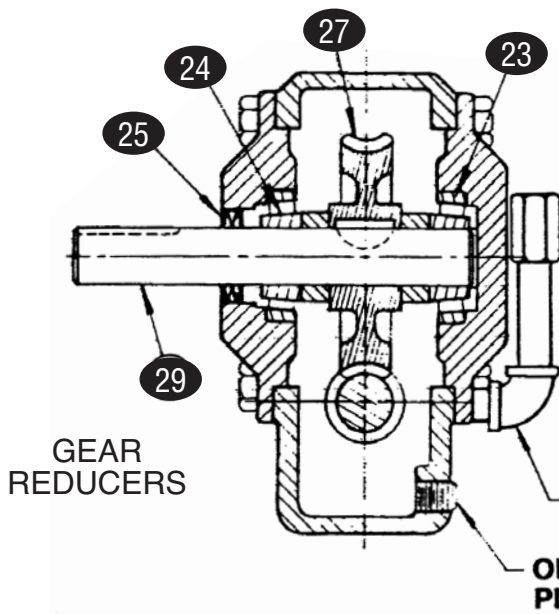


NOTE: INSTALL SPRING IN TUBE THIS END IN FIRST TOWARD THE TOP OF THE TUBE

KEY	PART #	DESCRIPTION	KEY	PART #	DESCRIPTION
1	EF150381	Relay, MTS			
2	EF160308	Screw, RDHM, #6-32X5/16", Zinc			
3	EF138159	Bracket, Flange Relay Mtg.			
4	EF138169	MTS Support			
5	EF159950	Screw, Hex SF 1/4-20X1/2", Zinc			
6	EF150828	Connector, 1/2"			
7	EF114174	Guide Assembly, Push Rod			
8	EF150477	Roller Switch, SPDT			
10	EF160393	Flat Washer, #6, Brass			
11	EF160392	Ext Tooth Washer, #6, Zinc			
12	EF160309	Hex Nut, #6-32, Zinc			
13	EF160104	Hex Nut, 1/4-20 Adjusting Bolt			
14	EF159965	Screw, Hex HM 1/4-20X2-1/2", Zinc			
15	EF162323	Spring Compression			
16	EF114176	Switch Assembly, Self-Closing Plunger			
n/s	EF113426	Push Rod Assembly, Plunger			



SHAKE DRIVE ASSEMBLY



KEY	PART #	DESCRIPTION	KEY	PART #	DESCRIPTION
1	EF117159	Kit, Pressure Switch Shake	16	EF114341	Stud Assembly Cylinder 1-15/16"
	EF117014	Kit, Pressure Switch Soft Serve Side	17	EF160011	Screw, Hex HC 5/16-18x1-1/2"
2	EF136843	Drain Tube Hanger	21	EF153014	High Speed Bearing Cup, 3/4"
3	EF136688	Plate, Bearing Mtg.	22	EF153015	High Speed Bearing Cone, 3/4"
4	EF160058	Screw, SK Set 1/4-20x5/16"	23	EF153011	Slow Speed Bearing Cup, 1"
5	EF135380	Shim Bearing, 16ga	24	EF153012	Slow Speed Bearing Cone, 1"
	EF135381	Shim Bearing, 24ga	25	EF153051	Oil Seal, 4CB 63x291
6	EF135616	Sheave, 1 Bore 7.950D	26	EF153053	Oil Seal, 4-1/2 BT 63x141
7	EF160033	Screw, SK Set 5/16-18x3.8	27	EF153349	Bronze Gear, 4CB 10:1
8	EF160009	Screw, Hex HC 5/16-18x1"	28	EF153347	Input Shaft
9	EF153106	V-Belt	29	EF153339	Output Shaft, 4CB 15:1
10	EF117336	Shaft Drive Assembly		EF153003	Output Gear Assembly
11	EF153030	Bearing, Pillow Block			(includes shaft, bronze gear, bearings & seals)
12	EF159248	Pin,Cotter (Included w/#117336 Drive Shaft Assy)	n/s	EF114874	Reducer Gasket, Kit
13	n/a	Cap Coupling (not available separately)	n/s	EF111964	Coupling Assembly, 1" Drive
14	EF116201	Tube Drain Assembly	n/s	EF158055	Oil, Special Gear Lube, per quart
15	EF116204	Cylinder Assembly, Complete			

refrigeration

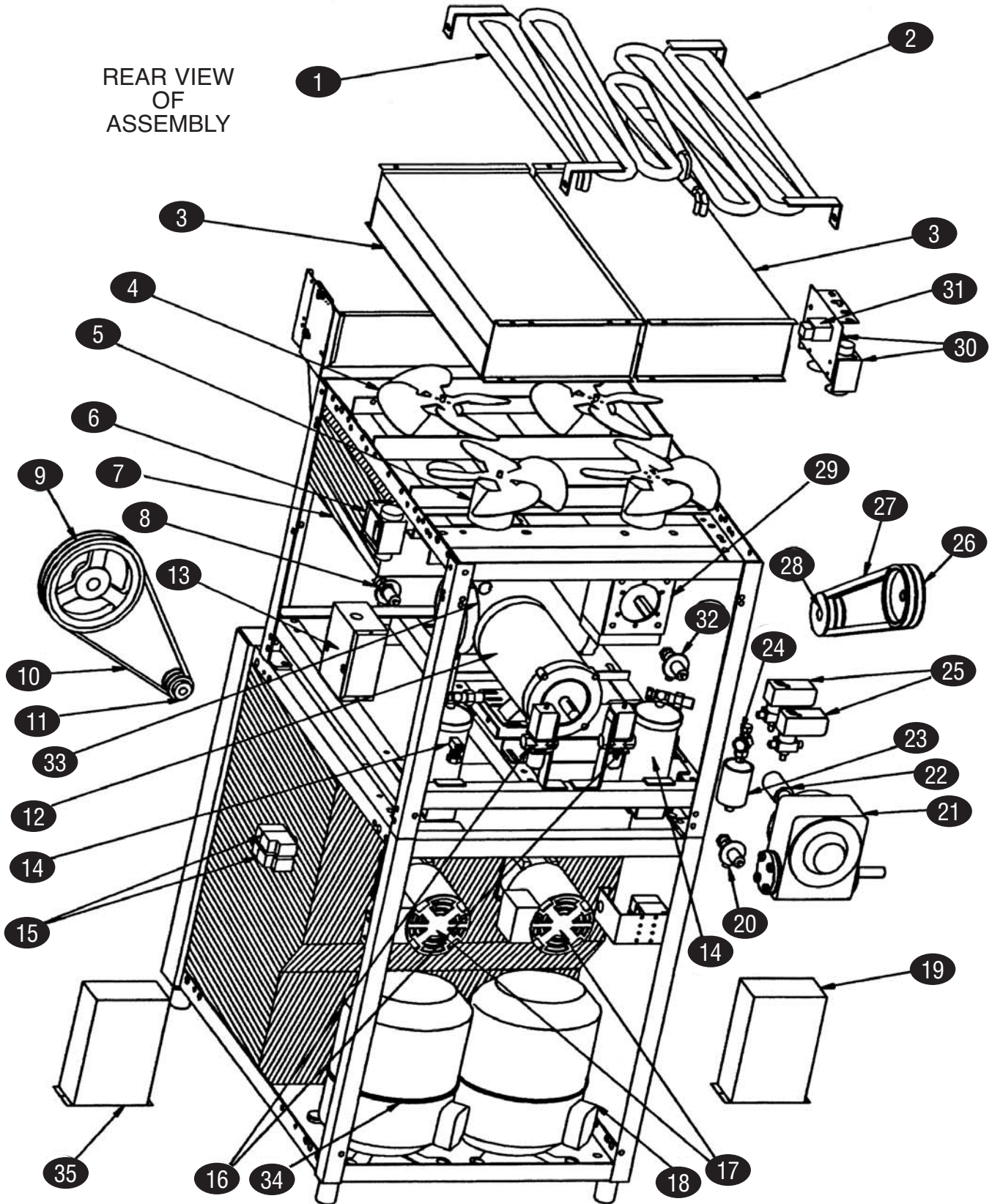
ICE CREAM MACHINE

SOFT SERVE #15-77CMT

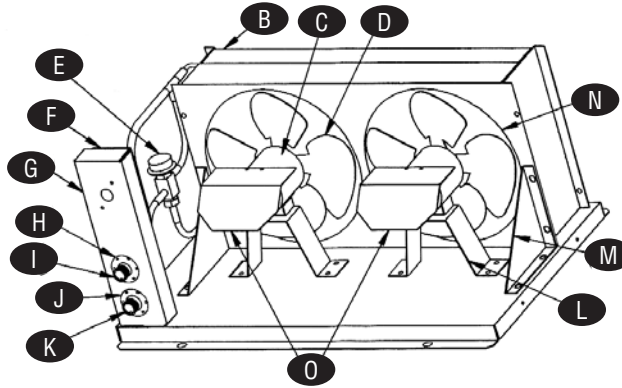
HAGAR

ELECTRO FREEZE

REAR VIEW
OF
ASSEMBLY



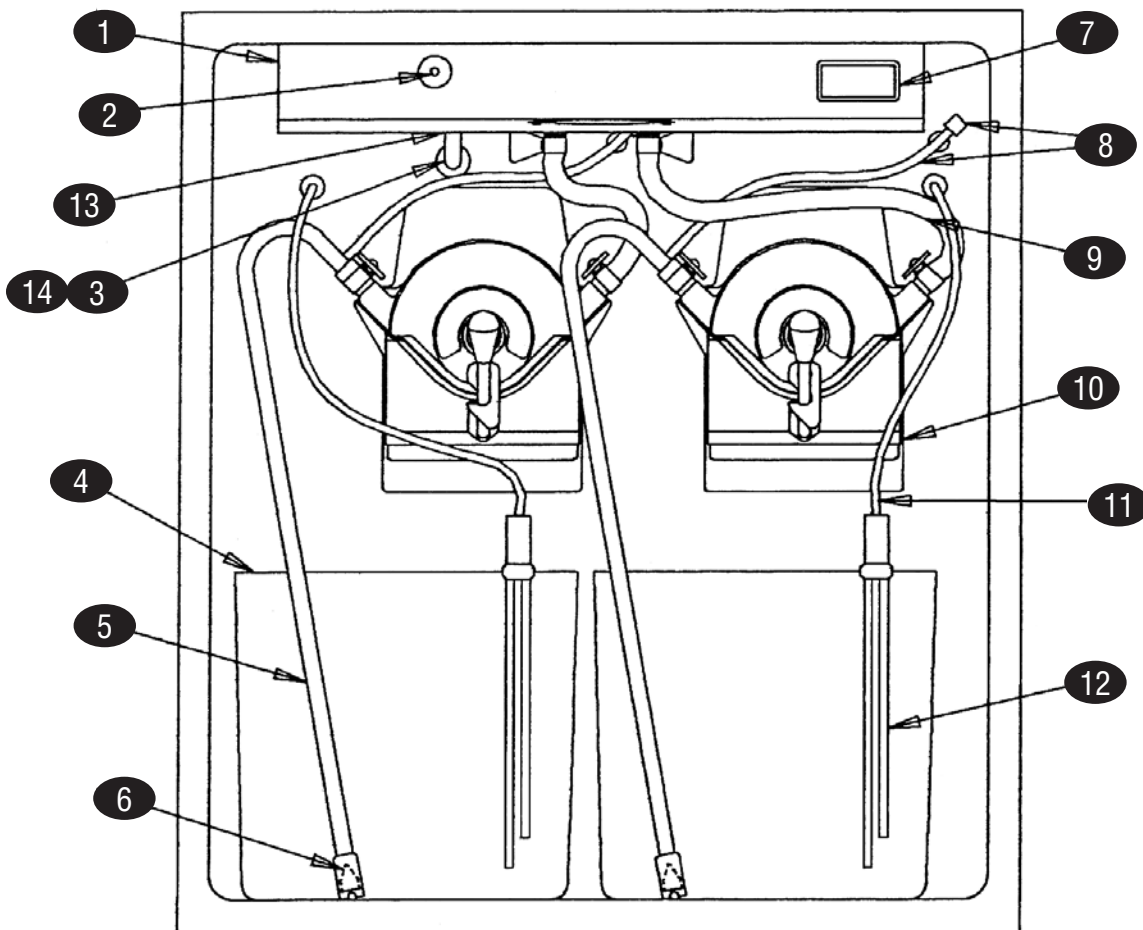
AIR COOLED
REMOTE
CONDENSER



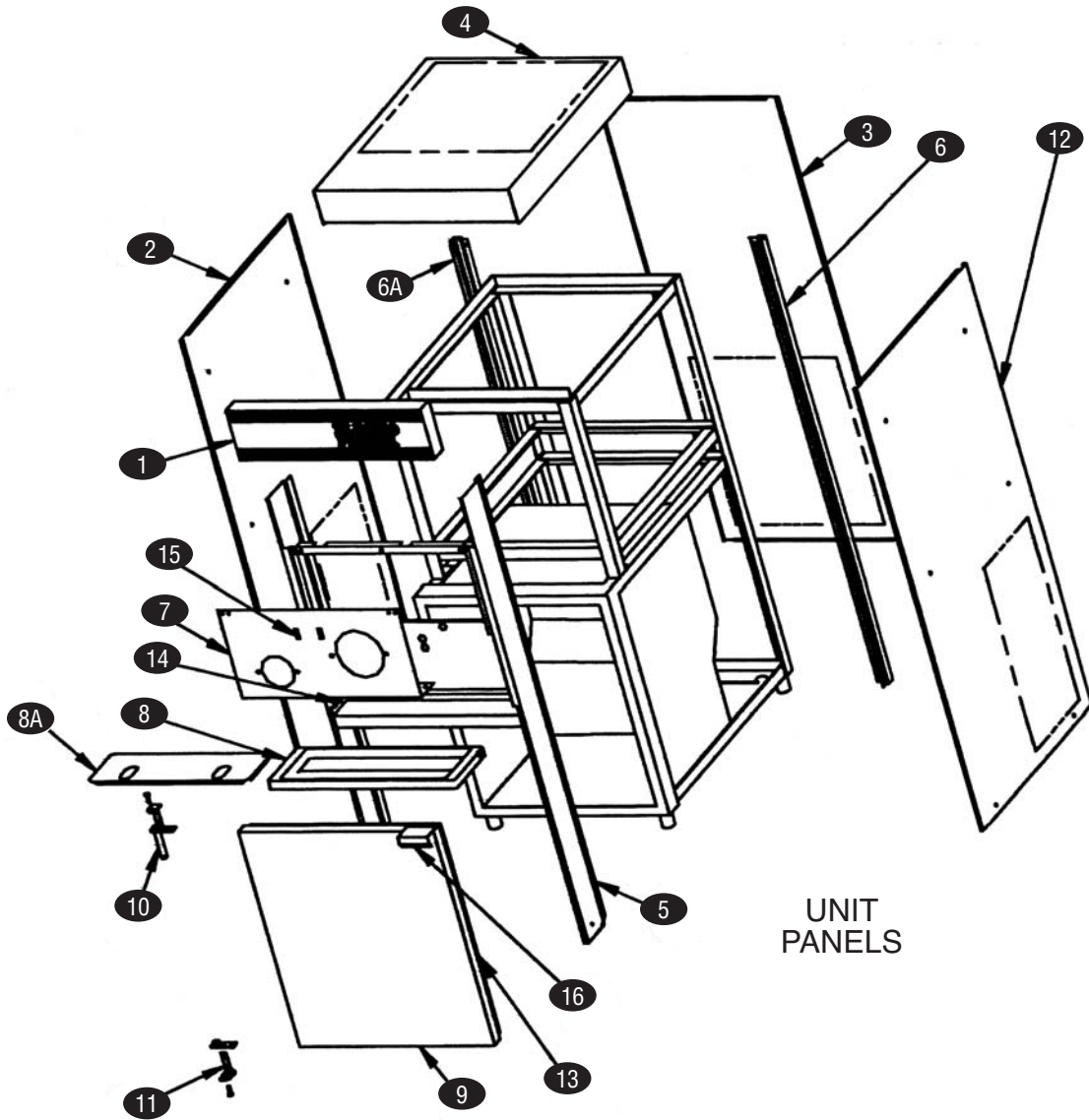
Most Condensers for ElectroFreeze Ice Cream Machines are Special Order. Please specify Model#, Phase & Voltage when ordering.

KEY	PART #	DESCRIPTION	KEY	PART #	DESCRIPTION
1	EF155026	Water Condenser, B side	n/s	EF150352	Coil
2	EF155039	Water Condenser, A side	n/s	EF155434	Solenoid Valve Kit
3	EF155120	Air Condenser, A & B side	26	EF153625	Driver Sheave, 3/4" Bore 4.750D, A side
4	EF159023	Fan Blade, 11" 36°	n/s	EF153322	Key, Drive, 3/16sq x1-1/2"
5	EF151077-01	Fan Motor, 50W 230V	27	EF153168	Belt, A side, Short
6	EF119989	Thermostat	28	EF153626	Sheave, 7/8 Bore 3.200D, Driver A side
7	EF118356	Cylinder Assembly, B side	n/s	EF160495	Screw, SK Set 1/4-2-x1/4", pkg of 5
n/s	EF117159	Shake Press Kit, Sw.	n/s	EF153322	Key, Drive, 3/16sq x1-1/2"
8	EF155451	Expansion Valve, B side	29	EF118601	Complete Cylinder Assembly, A side
9	EF153616	Sheave, 1 Bore, 7.950D	n/s	EF117014	Pressure Switch, A side
n/s	EF153323	Key, Drive	30	EF119989	Thermostat
10	EF153106	V-Belt, Shake side, pkg of 2	31	EF155443	Thermostat w/Off Switch
11	EF153609	Sheave, 5/8 Bore 2.000D	32	EF155448	Automatic Expansion Valve, A side
12	EF151063	Motor, 1HP, B side, 1-Phase		EF150872	Start Capacitor, 2 req.
	EF151060	Motor, 1HP, B side, 3-Phase		EF150318	Run Capacitor
13	EF113442	Motor Box, Capacitor & Components, A side, 1-Ph		EF150877	Centrifugal Switch
	EF150872	Start Capacitor		EF151052	Motor, 2Hp, 3-Phase, 208/230/460V
	EF150318	Run Capacitor	34	EF118236	Compressor Assembly, B side, 1- Phase
14	EF155057	Receiver, 3lb		EF151363	Box, Capacitor & Relay
15	EF155425	High Pressure Cut-out		EF155054	Drier Filter
	EF155403	Low Pressure Cut-out		EF118237	Compressor Assembly, B side, 3-Phase, 208/230V
16	EF155410	Water Valve, 3/8"		EF155054	Drier Filter
n/s	EF155444	Water Valve Repair Kit	35	EF151363	Compressor Box, Capacitor & Relay, B side, 1-Ph
17	EF151129	Gearmotor, 1/8" HP, MTS		EF150398	Run Capacitor
18	EF118234	Compressor Assembly, A side, 1-Phase, 208/230V		EF150403	Start Capacitor
	EF151362	Capacitor & Relay		EF150406	Relay
	EF155054	Drier Filter	B	EF155120-C	Air Condenser
	EF118235	Compressor Assembly, A side, 3-Phase, 208/230V	C	EF151072	Fan Motor, 50W 230V 60Hz
	EF155054	Drier Filter	D	EF159029	Fan Blade, 11" Dia 36°
n/s	EF151433	Compressor Mtg. Grommet	E	EF155454	Head Pressure Control Valve
n/s	EF151434	Compressor Mtg. Sleeve	F	EF150732	Box, Electric 2-3/4x4-1/2x2"
19	EF151362	Capacitor & Relay, Compressor	G	EF117197	Bracket Assembly, Electric Box
	EF150398	Start Capacitor	H	EF153415	Flange
	EF150399	Run Capacitor	I	EF153410	Coupling
	EF150401	Relay	J	EF153414	Flange, Refr Coupling Mount 3/8"
20	EF155449	Automatic Expansion Valve	K	EF153413	Coupling, Refr 3/8" Mount w/Stub
21	EF153342	Gear Reducer, 10:1 4CB	L	EF137632	Bracket, Fan Condenser
22	EF111964	Coupling Assembly, 1" Drive	M	EF137629	Condenser Support
23	EF155054	Drier Filter	N	EF138465	Fan Shroud
24	EF155059	Sight Glass	O	EF139017	Motor Rain Shield
25	EF155421	Solenoid Valve, 208/240V			

CABINET PARTS



KEY	PART #	DESCRIPTION	KEY	PART #	DESCRIPTION
1	EF117129	Evaporator Shroud Assembly	6	EF199032	Duckbill Inlet Valve, pkg of 5
	EF150532	Male Plug Cord Assembly	7	EF161004	Cabinet Thermometer
	EF151102	Fan, 230V	8	EF138170	Air Tube
	EF151076	Guard, Fan, Open	n/s	order by meter#	Air Meter
	EF161004	Thermometer	9	EF116094	Mix Assembly, Braided Hose MTS (pictured only)
n/s	EF150533	Female Plug Cord Assembly	10		Transfer Hose, Black Striped
n/s	EF155111	Evaporator Coil	n/s	EF138184	Butterfly Clamp, Soft Hose, 5/8"
2	EF119163	Switch, Door Push Button	n/s	EF116065	Probe Cordset, Mix Level
n/s	EF118597	Door Switch Assembly Actuator	11	EF150537	Receptacle Level Sensor
3	EF196068	Tubing	n/s	EF150536	Probe Assembly, Mix Level, 10-3/4", 7gal
4	EF196222	Mix Tank, 7gal, 13-1/4"	12	EF115397	Clamp, Drain Hose
n/s	EF113997	Front Cover Assembly, Mix Tank	13	EF160738	Support Tube, Drain
n/s	EF138165	Rear Mix Cover	14	EF139384	Cabinet Thermostat w/White Dial
n/s	EF199033	Grommet	n/s	EF119310	
5	EF116069	Pickup Tube Assembly			
n/s	EF116065	Clamp, Soft Hose Butterfly, 5/8"			



KEY	PART #	DESCRIPTION	KEY	PART #	DESCRIPTION
1	EF115292-03	Trimstrip Assembly, EF Decal, 26"	13	EF160563	Door Gasket, V-Groove
2	EF136289-C	Side Panel, LH	14	EF159175	Catch, Bullet
3	EF136313-C	Rear Panel, WC & AC	15	EF150540	Indicator Light, "ADD MIX", 230V
4	EF116492-C	Top Pan Assembly, AC	16	EF136199	Pull Door Handle
5	EF113983-C	Front Pan Assembly			
6	EF130021	Rear Channel, RH			
6A	EF135254	Rear Channel, LH			
7	EF139221	Dispense Panel			
8	EF196108	Tray Drip, 26" Black			
8A	EF114608	Drip Tray Insert Assy, includes			
9	EF114260-C	Door Assembly, 26"			
n/s	EF114630	Door Switch Actuator Assembly			
10	EF162045	Hinge, Top Pivot, LH, 1-3/8"			
n/s	EF162052	Spring, Pivot Hinge, LH			
11	EF162046	Hinge, Pivot, Bottom LH			
12	EF136216-C	Side Panel, RH			

Having your **serial #** ready before ordering ElectroFreeze parts, when calling our sales staff, will ensure speed & accuracy.