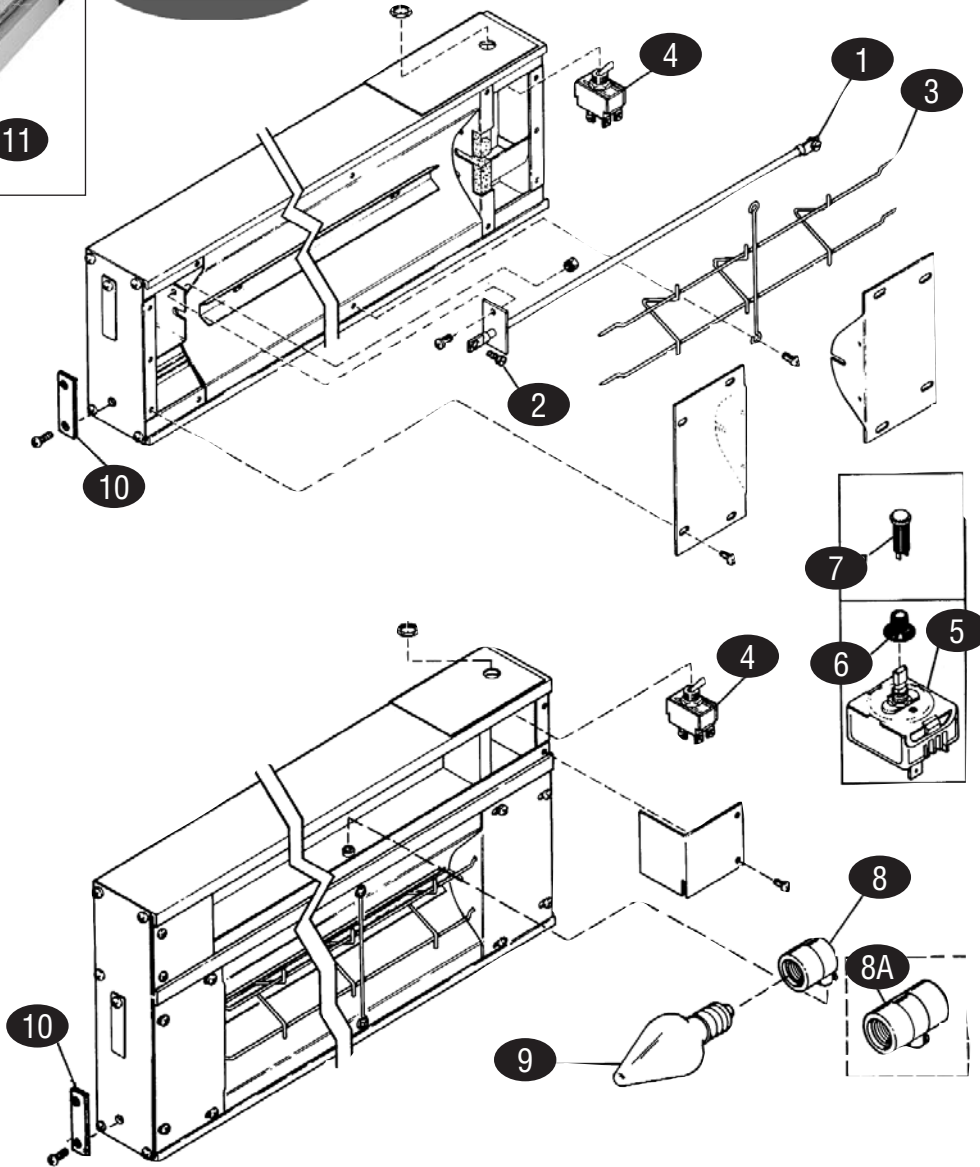


We stock
a **full line** of Merco parts
for your convenience. Call
our knowledgeable sales staff for
assistance in part replacement.
Please have model & serial
ready.

KEY	PART #	DESCRIPTION	KEY	PART #	DESCRIPTION
1	ME000672	EZ Socket w/out Sleeve for X models 36" & up		<u>ELEMENT</u>	<u>MODEL#</u> <u>VOLTAGE</u> <u>WATTAGE</u>
2	ME050026	EZ Socket w/Sleeve		ME110665	EZTM-48 120V 1100W
3	ME050027	Power Cord		ME110666	EZTM-18 120V 550W
4	ME000715	On/Off Switch, 120V Tested		ME110674	HWEZTM-24 120V 825W
5	ME000370	Light Bulb, Shatter Resistant, 120V, 40W		ME110677	HWEZTM-48 120V 1360W
6	see below	Element		ME110949	HWEZT-24 120V 825W
	<u>ELEMENT</u>	<u>MODEL#</u> <u>VOLTAGE</u> <u>WATTAGE</u>		ME110950	HWEZT-18 120V 680W
	ME110649	EZT-18 120V 550W		ME110952	HWEZT-30 120V 825W
	ME110650	EZT-24 120V 680W			
	ME110653	EZT-30 120V 750W			
	ME110655	EZT-36 120V 825W			
	ME110657	EZT-48 120V 1100W			
	ME110662	EZTM-24 120V 680W			
	ME110663	EZTM-30 120V 750W			
	ME110664	EZTM-36 120V 825W			

NOTE: Model# is based on overall length of Overhead Food Warmer.



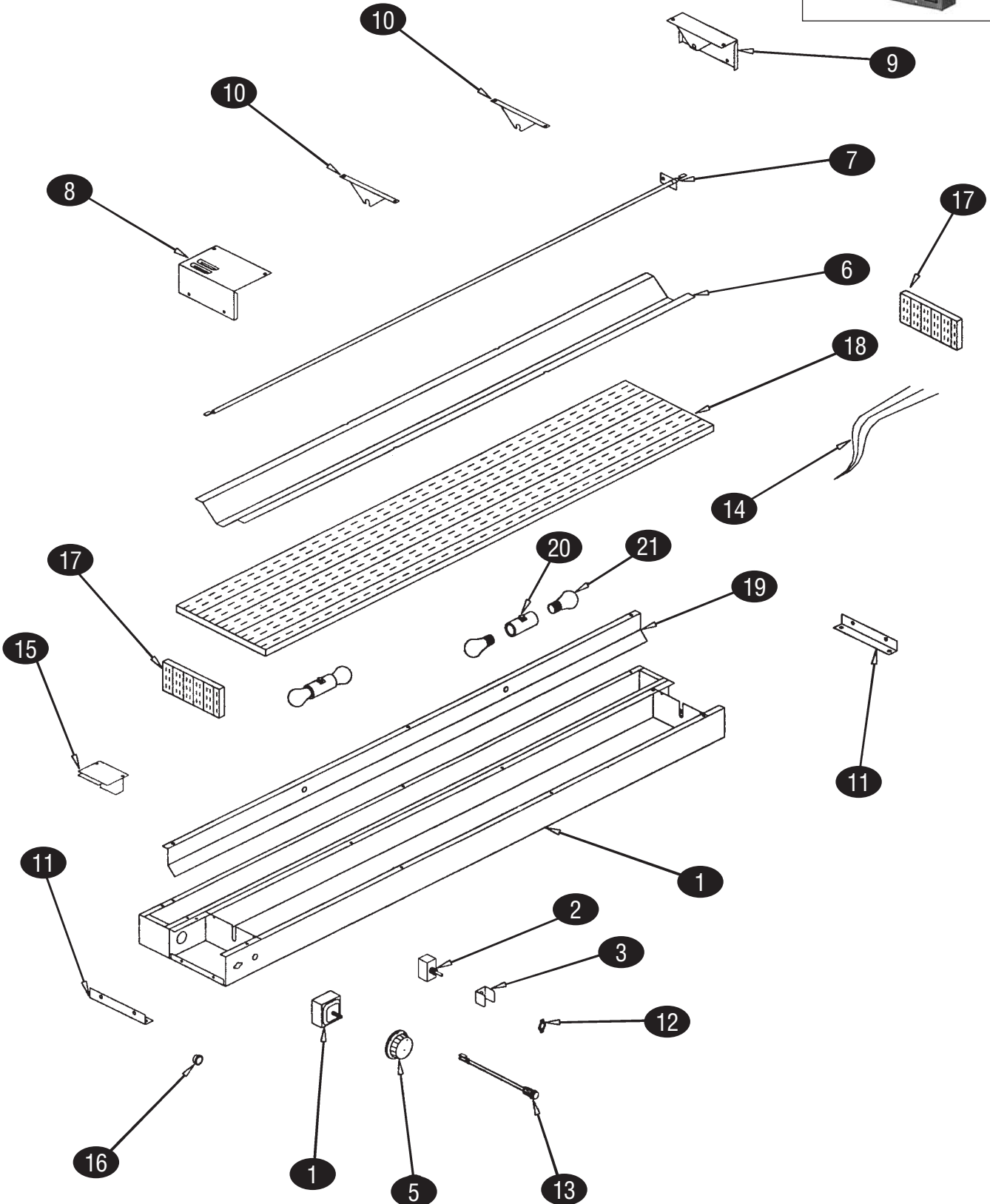
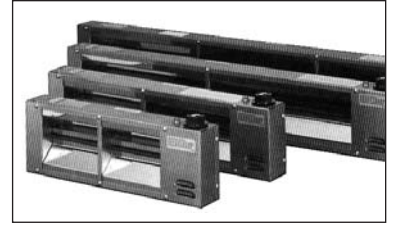
KEY	PART #	DESCRIPTION	KEY	PART #	DESCRIPTION
1	varies	Heating Elements (specify model# & voltage)			<p>NOTE: Complete units available upon request. Please ask for assistance when ordering.</p>
2	HA05-04-074	Element Terminal Screws (included w/element)			
3	varies	Heating Element Guard (specify model#)			
4	HA02-19-008	On/Off Toggle Switch			
5	HA02-19-017	Infinite Control Switch (optional) 208V			
	HA02-19-018	Infinite Control Switch (optional) 115V			
	HA02-19-019	Infinite Control Switch (optional) 230V			
6	HA02-20-033	Infinite Control Knob			
7	HA02-19-154	Pilot Light (optional) 115V			
	HA02-19-151	Pilot Light (optional) 208/230V			
8	HA02-30-044	Lamp Holder, Single			
8A	HA02-30-045	Lamp Holder, Dual			
9	HA02-30-043	Shatter Resistant Bulb, 120V, 60W			
10	HA04-08-042	Housing Hanger Tabs			
n/s	FM910-8627	Mounting Bracket for Frymaster Dump Station			
11	varies	Complete Unit			

warming

HEAT LAMPS

OVERHEAD WARMER

HAGAR





KEY	PART #	DESCRIPTION	KEY	PART #	DESCRIPTION
1	APW55564	Infinite Control 120V		APW75867	" 208V, 1050W
	APW87053	Infinite Control 208/240V		APW75810	" 240V, 1610W
2	APW67005	Toggle Switch		APW75868	" 240V, 1050W
3	APW76100	Switch Guard		APW75826	FD-66 Element, 208V, 1800W
5	APW55817	Knob		APW75869	" 208V, 1160W
6	APW76117	Reflector, FD-18		APW75827	" 240V, 1800W
	APW76118	Reflector, FD-24		APW75870	" 240V, 1160W
	APW76119	Reflector, FD-30		APW75828	FD-72 Element, 120V, 1500W
	APW76120	Reflector, FD-36		APW75811	" 208V, 1980W
	APW76121	Reflector, FD-42		APW75871	" 208V, 1275W
	APW76122	Reflector, FD-48		APW75812	" 240V, 1980W
	APW76123	Reflector, FD-54		APW75872	" 240V, 1275W
	APW76124	Reflector, FD-60	8	APW76104	End Cover, RH Control
	APW76125	Reflector, FD-66	9	APW76802	End Cover
	APW76126	Reflector, FD-72	10	APW76106	Element Guard
7	APW75801	FD-18 Element, 120V, 400W	11	APW76160	Mounting Bracket
	APW75851	" 120V, 250W	12	APW67003	On-Off Plate
	APW75830	" 240V, 400W	13	APW56530	Indicator Light
	APW75874	" 240V, 320W	14	varies	Wire Set (specify model #)
	APW75461	FD-24 Element, 120V, 575W	15	APW76801	End Cover, RH DL
	APW75852	" 120V, 350W	16	APW89182	Snap-in Bushing
	APW75814	" 240V, 575W	17	APW76189	Insulation, FD-18 thru FD72
	APW75876	" 240V, 350W	18	APW76190	Insulation, FD-18
	APW75802	FD-30 Element, 120V, 760W		APW76191	" FD-24
	APW75853	" 120V, 450W		APW76192	" FD-30
	APW75803	FD-36 Element, 120V, 920W		APW76193	" FD-36
	APW75854	" 120V, 575W		APW76194	" FD-42
	APW75804	" 208V, 920W		APW76195	" FD-48
	APW75855	" 208V, 575W		APW76196	" FD-54
	APW75805	" 240V, 920W		APW76197	" FD-60
	APW75856	" 240V, 575W		APW76198	" FD-66
	APW75819	FD-42 Element, 120V, 1100W		APW76199	" FD-72
	APW75857	" 120V, 675W	19	APW76211	Light Support Bracket, FDL-18
	APW75821	" 208V, 1100W		APW76212	" FDL-24
	APW75858	" 208V, 675W		APW76213	" FDL-30
	APW75822	" 240V, 1100W		APW76214	" FDL-36
	APW75859	" 240V, 675W		APW76215	" FDL-42
	APW75806	FD-48 Element, 120V, 1265W		APW76216	" FDL-48
	APW75860	" 120V, 800W		APW76217	" FDL-54
	APW75807	" 208V, 1265W		APW76218	" FDL-60
	APW75861	" 208V, 800W		APW76219	" FDL-66
	APW75808	" 240V, 1265W		APW76220	" FDL-72
	APW75862	" 240V, 800W	20	APW75917	Twin Lamp Holder
	APW75823	FD-54 Element, 120V, 1425W	21	APW75916	Coated Light Bulb, 120V, 40W
	APW75863	" 120V, 925W			
	APW75824	" 208V, 1425W			
	APW75864	" 208V, 925W			
	APW75825	" 240V, 1425W			
	APW75865	" 240V, 925W			
	APW75817	FD-60 Element, 120V, 1610W			
	APW75866	" 120V, 1050W			
	APW75809	" 208V, 1610W			

NOTE: Complete Overhead Warmer units are available upon request. Please ask for assistance when ordering.