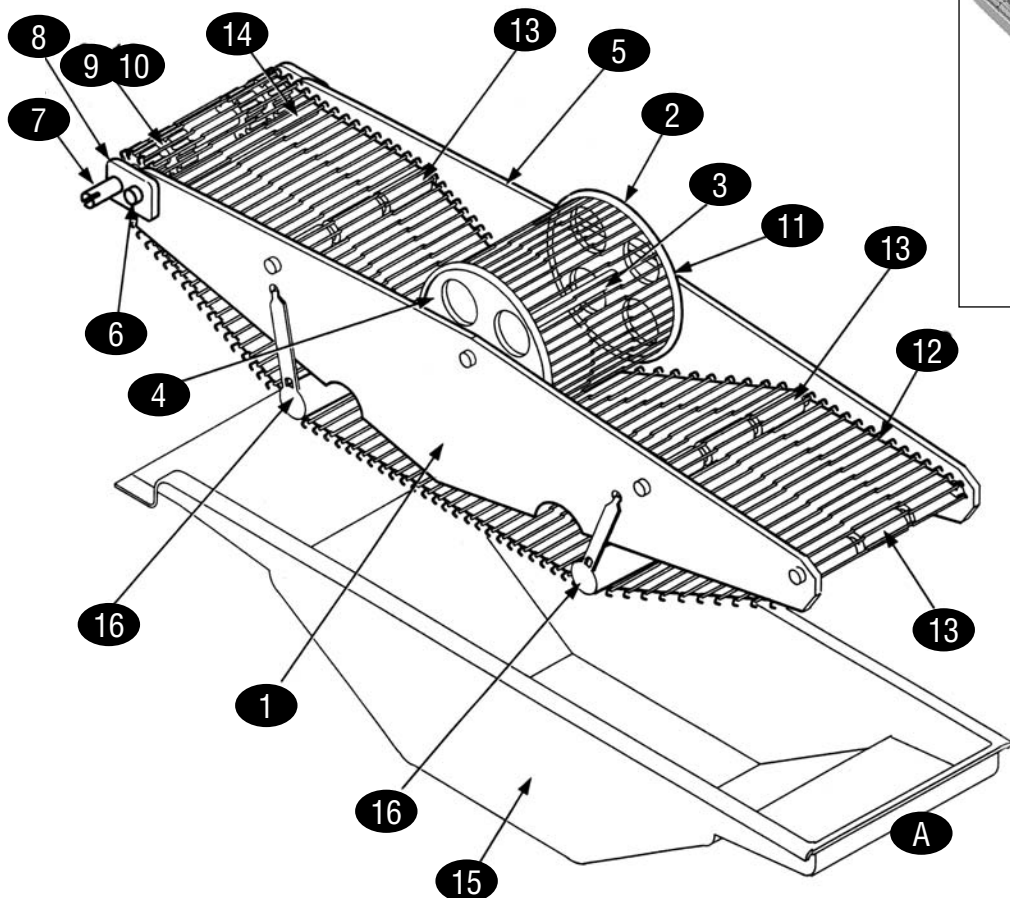
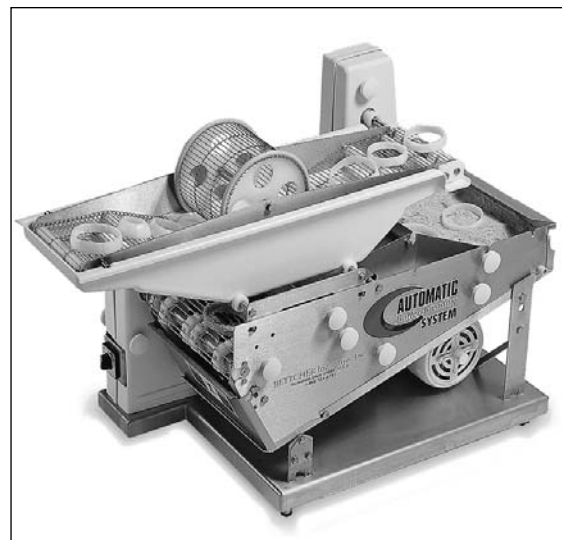


### BREADER CONVEYOR ASSEMBLY



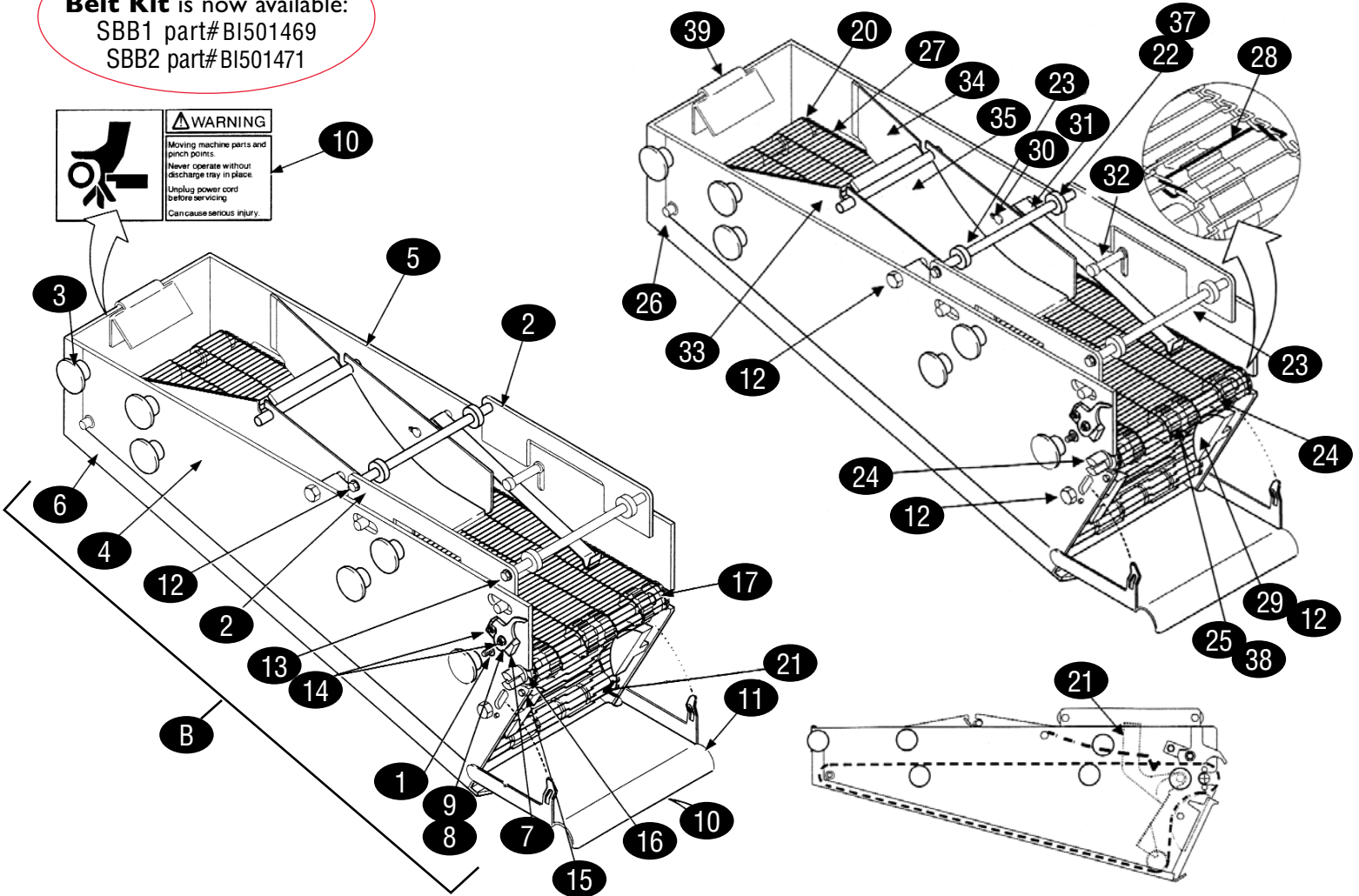
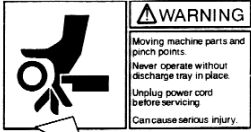
| KEY | PART #   | DESCRIPTION   | KEY | PART # | DESCRIPTION |
|-----|----------|---|-----|--------|-------------|
| A   | BI500254 | Complete Batter Conveyor Assembly, R Hand<br>NOTE: Does not come with Batter Tank<br>(must order Batter Tank separately). |     |        |             |
| n/s | BI500262 | Complete Batter Conveyor Assembly, L Hand   |     |        |             |
| 1   | BI500299 | Conveyor Side, Lefthand   |     |        |             |
| 2   | BI500303 | O-Ring  |     |        |             |
| 3   | BI500294 | Wheel Shaft   |     |        |             |
| 4   | BI500293 | Batter Wheel Side   |     |        |             |
| 5   | BI500300 | Conveyor Side, Righthand  |     |        |             |
| 6   | BI122764 | Thumb Screw   |     |        |             |
| 7   | BI500295 | Drive Shaft   |     |        |             |
| 8   | BI500296 | Conveyor Bearing, Batter  |     |        |             |
| 9   | BI125915 | Sprocket, 12T   |     |        |             |
| 10  | BI123131 | Sprocket Set Screw, Slotted, 1/4-20x1/4 (2ea)   |     |        |             |
| 11  | BI500302 | Batter Wheel Wire Belting, 6"x17"   |     |        |             |
| 12  | BI500304 | Conveyor Wire Belting, 6"x57"   |     |        |             |
| 13  | BI500287 | Cross Rod   |     |        |             |
| 14  | BI500288 | Rod   |     |        |             |
| 15  | BI500693 | Flat Bottom Batter Tank   |     |        |             |
| 16  | BI500443 | Tensioner   |     |        |             |

We supply **all parts** to the Bettcher Batter-Breader. Please call our knowledgeable sales staff for assistance for replacement parts.

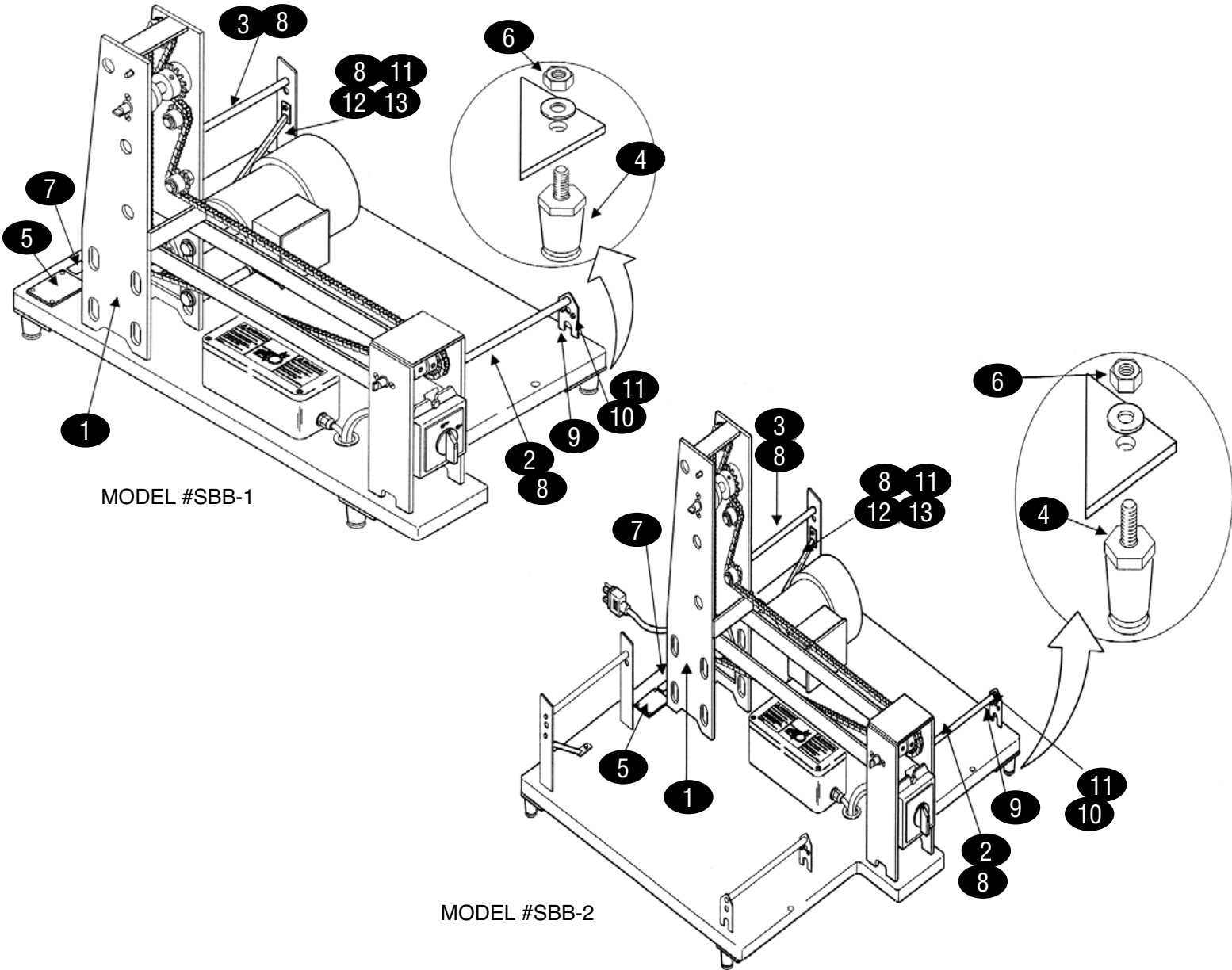
**SBB**  
Batter-Brader

### BREADER CONVEYOR ASSEMBLY

The new style **Belt Kit** is now available:  
SBB1 part# BI501469  
SBB2 part# BI501471



| KEY | PART #   | DESCRIPTION                    | KEY | PART #   | DESCRIPTION                                   |
|-----|----------|--------------------------------|-----|----------|---|
| A   | BI501202 | Breader Assembly, Right Hand   | 20  | BI500471 | Belt Support Shaft                            |
| B   | BI501203 | Breader Assembly, Left Hand    | 21  | BI500657 | Unload Lever                                  |
| 1   | BI500327 | Deflector Lever Mounting Shaft | 22  | BI500323 | Spacer  |
| 2   | BI500696 | Batter Tank Mount              | 23  | BI500326 | Mounting Shaft for Batter Tank                |
| 3   | BI122283 | Hand Knob                      | 24  | BI500446 | Driven Shaft                                  |
| 4   | BI500678 | Side Rail, Right               | 25  | BI125916 | Sprocket                                      |
| 5   | BI500679 | Side Rail, Left                | 26  | BI500472 | Support Shaft Bearing                         |
| 6   | BI500354 | Bottom Pan                     | 27  | BI500618 | Wire Belt, 10"width                           |
| 7   | BI500333 | Lever Mounting Spacer          | 28  | BI125921 | Splice Clip                                   |
| 8   | BI500332 | Pivot Bushing                  | 29  | BI500368 | Chain Idler Block Assembly                    |
| 9   | BI500414 | Latch Lever                    | 30  | BI500325 | Support Shaft, Side Guide                     |
| 10  | BI500637 | Pinch Hazard Label             | 31  | BI500285 | Vibrator Spring                               |
| 11  | BI500686 | Discharge Tray                 | 32  | BI500284 | Anchor for Vibrator Spring                    |
| 12  | BI120587 | Screw, Hex Head, 1/4-20x5/8"   | 33  | BI500384 | Guide, Right Hand Side                        |
| 13  | BI123134 | Screw, Hex Head, 1/4-20x1/2"   | 34  | BI500383 | Guide, Left Hand Side                         |
| 14  | BI500841 | Lock Nut, Hex Head, 1/4-20"    | 35  | BI500356 | Tamper Plate                                  |
| 15  | BI120785 | Screw, Hex Head, 10-24x1/2"    | 37  | BI123131 | Set Screw, Slotted, 1/4-20x1/4"               |
| 16  | BI500448 | Bearing, 0.625width            | 38  | BI123113 | Sprocket Head Set Screw, Slotted, 5/16-18x1/2 |
| 17  | BI500312 | Bearing, 0.500width            | 39  | BI500392 | Spreader Plow                                 |
| n/s | BI500328 | Lever Mounting Bracket         | n/s | BI500863 | Breader Pan                                   |



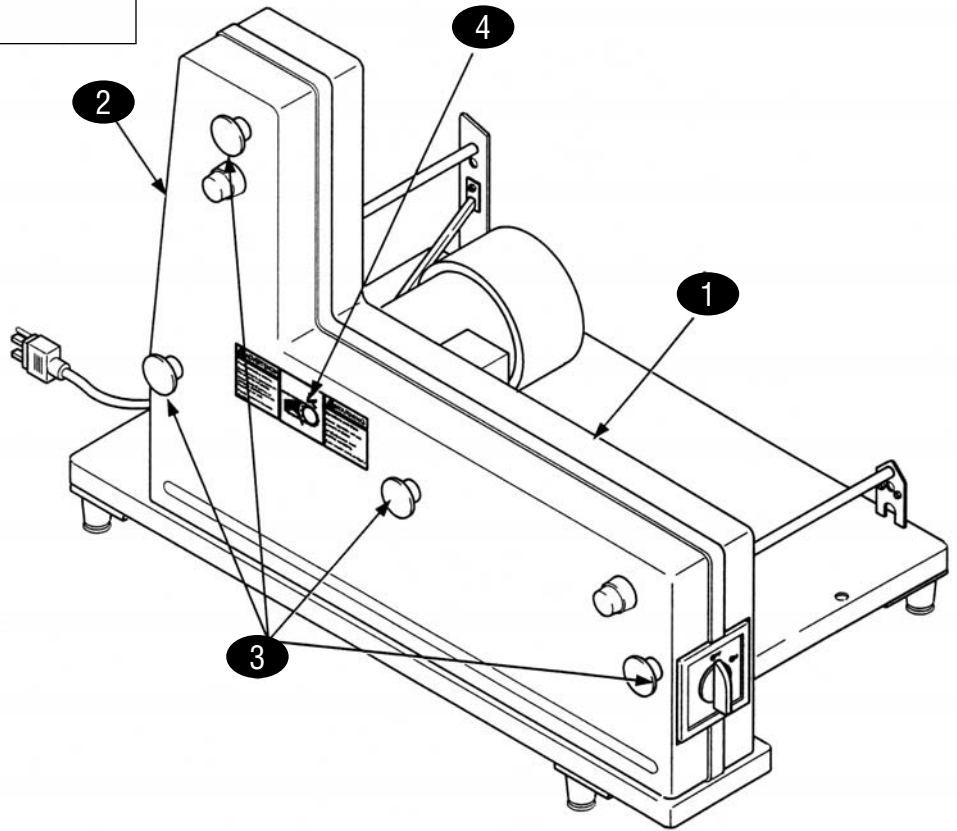
MODEL #SBB-1

MODEL #SBB-2

| KEY | PART #   | DESCRIPTION                      | KEY | PART # | DESCRIPTION |
|-----|----------|----------------------------------|-----|--------|-------------|
|     | BI500492 | Complete Frame Assembly          |     |        |             |
| 1   | BI500486 | Frame Assembly, Welded           |     |        |             |
| 2   | BI500340 | Support Shaft, Feed End          |     |        |             |
| 3   | BI500309 | Support Shaft                    |     |        |             |
| 4   | BI500794 | Leg Assembly, 1" Adjustable      |     |        |             |
| 5   | BI500506 | Specification Plate              |     |        |             |
| 6   | BI500841 | Hex Head Lock Nut, 1/4-20        |     |        |             |
| 7   | BI100093 | NSF Seal                         |     |        |             |
| 8   | BI120587 | Hex Head Screw, 1/4-20x5/8 (n/s) |     |        |             |
| 9   | BI500377 | Adjustable Retaining Plate       |     |        |             |
| 10  | BI123234 | Hex Head Washer, 1/4-20          |     |        |             |
| 11  | BI120304 | ESNA Nut, 1/4-20 (n/s)           |     |        |             |
| 12  | BI500437 | Support Brace, Solid Top         |     |        |             |
| 13  | BI120261 | Plain Washer, 1/4, (n/s)         |     |        |             |



**SBB**  
Batter Breader



| KEY | PART #   | DESCRIPTION                         | KEY | PART # | DESCRIPTION |
|-----|----------|-------------------------------------|-----|--------|-------------|
| 1   | BI500370 | Right Drive Guard Cover, Motor Side |     |        |             |
| 2   | BI500371 | Left Drive Guard Cover, SBB-1       |     |        |             |
|     | BI500441 | Left Drive Guard Cover, SBB-2       |     |        |             |
| 3   | BI122283 | Knob                                |     |        |             |
| 4   | BI500636 | Label, Chain Hazard                 |     |        |             |

### SBB-I DRIVE COMPONENTS

**SBB**  
Batter-Brader

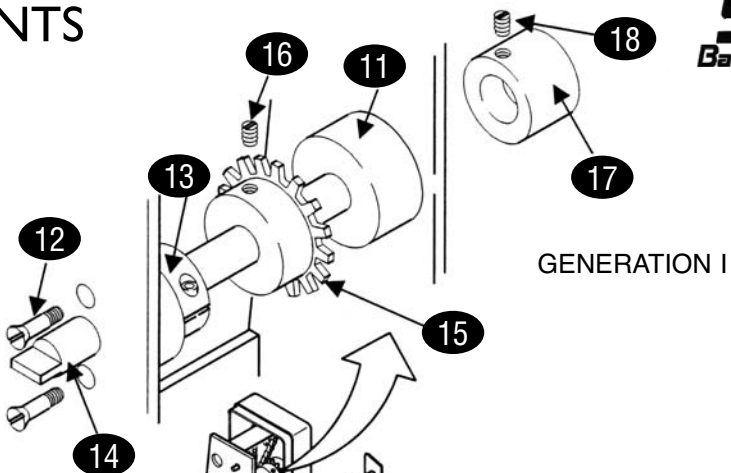
The new **Square Drive Shaft Conversion Kit** is now available!

SBB1: BI501409

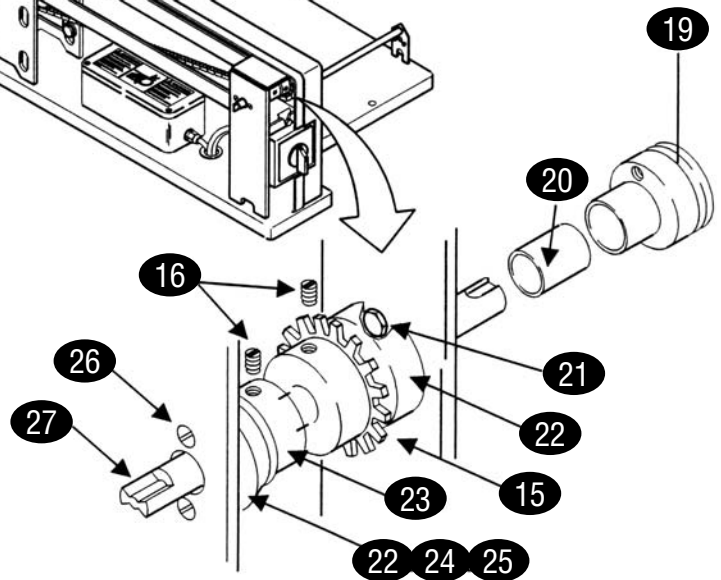
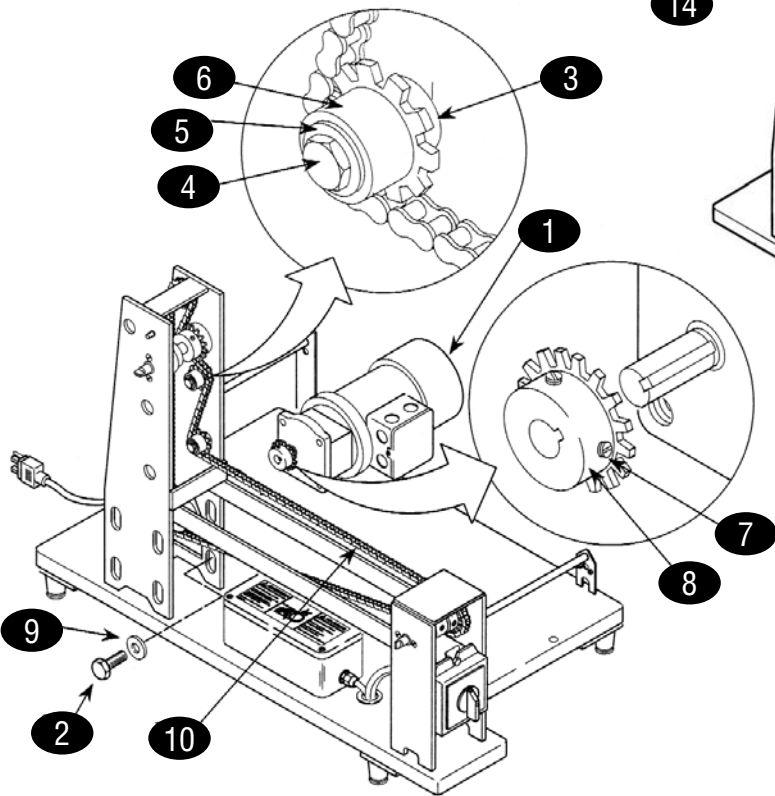
SBB2: BI501403

Please call our sales staff to order.

GENERATION III  
SQUARE DRIVE KIT



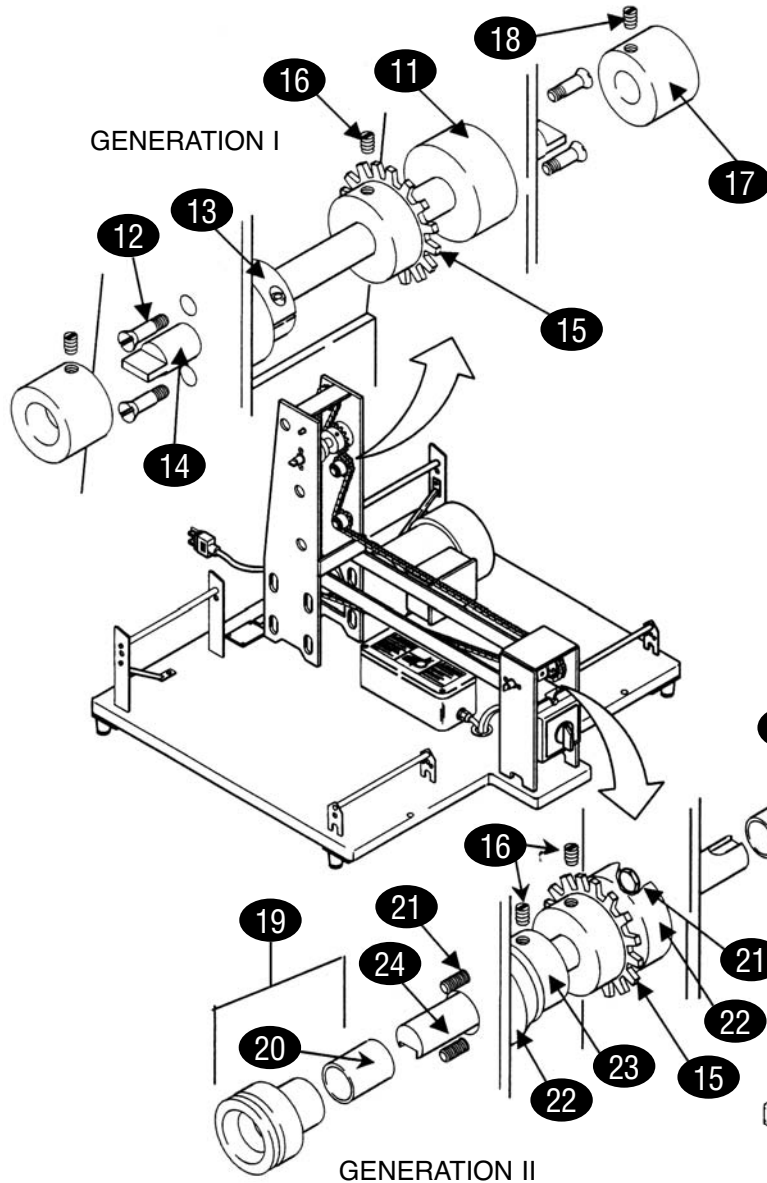
GENERATION I



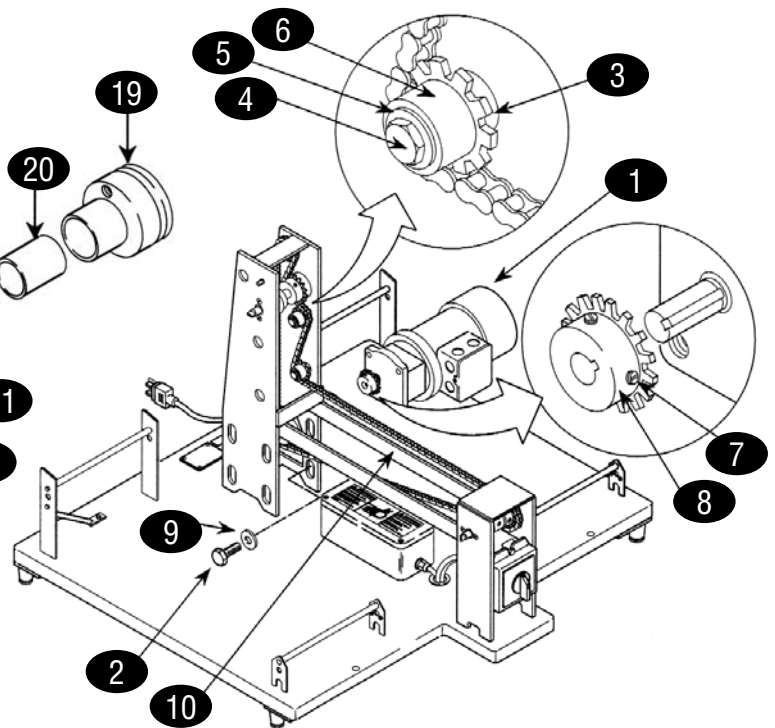
GENERATION II

| KEY | PART #   | DESCRIPTION                              | KEY | PART #   | DESCRIPTION                           |
|-----|----------|--|-----|----------|---------------------------------------|
| 1   | BI500894 | Motor Assembly w/Capacitor, 120V         | 14  | BI500315 | Drive Shaft, Old Style                |
| 2   | BI120870 | Screw, Hex Head, Gear Motor, 5/16-18x1/2 | 15  | BI125920 | Drive Sprocket, 15-tooth, Plated      |
| 3   | BI500308 | Idler Sprocket Mount                     | 16  | BI123108 | Set Screw, Drive Sprocket, 1/4-20x1/2 |
| 4   | BI121419 | Hex Head Screw, 1/4-20x1/2               | 17  | BI500307 | Guide Sleeve                          |
| 5   | BI120261 | Flat Washer, 1/4                         | 18  | BI123131 | Set Screw, Guide Sleeve, 1/4-20x1/4   |
| 6   | BI125918 | Idler Sprocket                           | 19  | BI500417 | Guide Bearing, S/S                    |
| 7   | BI123108 | Set Screw, Sprocket, 1/4-20x1/2          | 20  | BI121756 | Bearing, Rulon                        |
| 8   | BI125922 | Gear Motor Drive Sprocket, 20-tooth      | 21  | BI120785 | Screw, Hex Head, 10-24x1/2            |
|     | BI125924 | Gear Motor Drive Sprocket, 23-tooth      | 22  | BI500420 | Thrust Bearing                        |
|     | BI125939 | Gear Motor Drive Sprocket, 28-tooth      | 23  | BI500421 | Drive Shaft Spacer                    |
| 9   | BI120258 | Flat Washer, Gear Motor Mounting, 5/16   | 24  | BI500410 | Bearing Assembly                      |
| 10  | BI500339 | Chain w/Connecting Link                  | 25  | BI121755 | Bearing                               |
| 11  | BI500312 | Bearing, .500width                       | 26  | BI123242 | Screw, Flat Head, 10-24x3/8           |
| 12  | BI123233 | Screw, Flat Head, 10-24x1/2              | 27  | BI500447 | Drive Shaft                           |
| 13  | BI122038 | Split Clamp Collar                       |     |          |                                       |

### SBB-2 DRIVE COMPONENTS



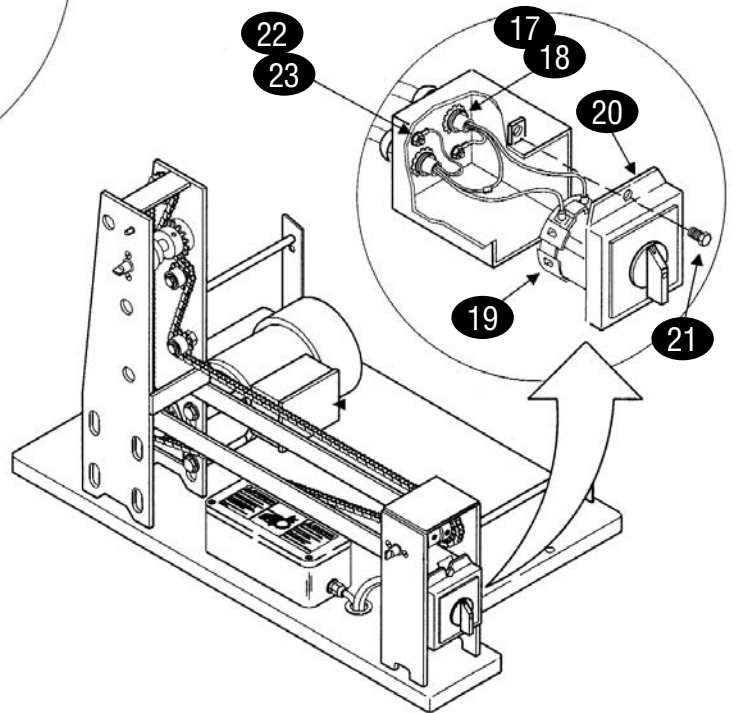
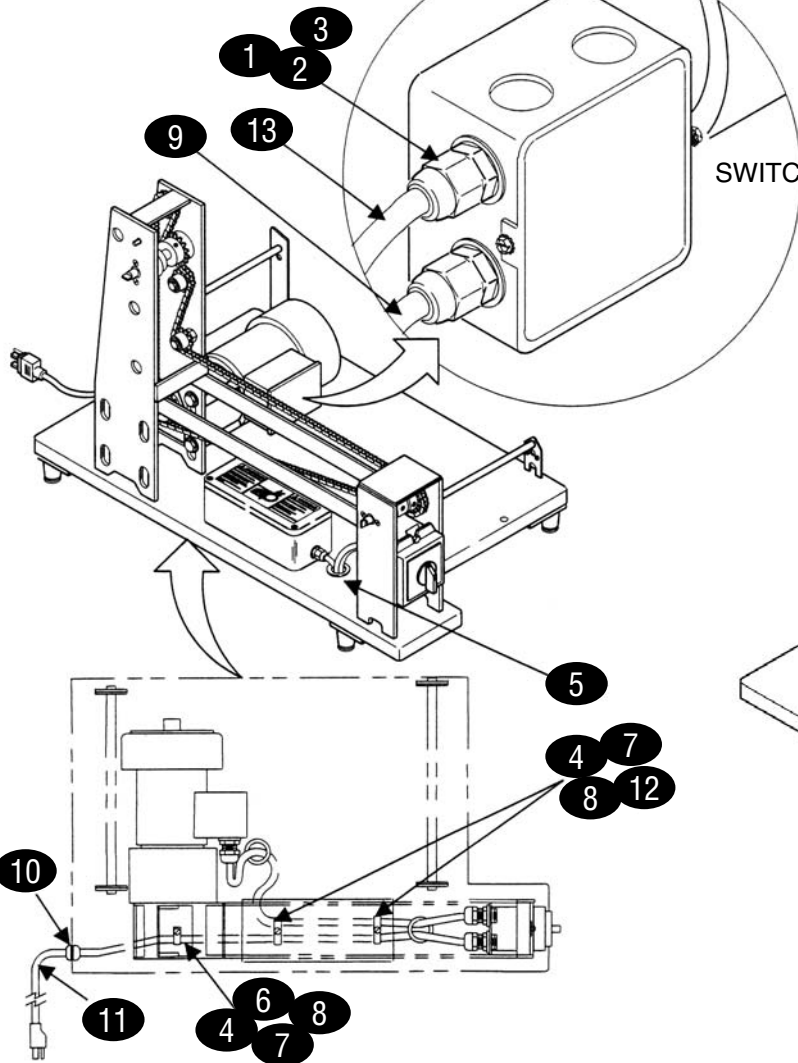
The **Generation III Square Drive Kit** is now available!  
 SBB1: B1501409  
 SBB2: B1501403  
 Please call our sales staff to order.



| KEY | PART #   | DESCRIPTION                             | KEY | PART #   | DESCRIPTION                           |
|-----|----------|---|-----|----------|---------------------------------------|
| 1   | B1500894 | Motor Assembly w/Capacitor, 120V        | 16  | B1123108 | Set Screw, Drive Sprocket, 1/4-20x1/2 |
| 2   | B1120870 | Hex Head Screw, Gear Motor, 5/16-18x1/2 | 17  | B1500307 | Guide Sleeve                          |
| 3   | B1500308 | Idler Sprocket Mount                    | 18  | B1123131 | Set Screw, Guide Sleeve, 1/4-20x1/4   |
| 4   | B1121419 | Screw, Hex Head, 1/4-20x1/2             | 19  | B1500417 | Guide Bearing, S/S                    |
| 5   | B1120261 | Flat Washer, 1/4                        | 20  | B1121756 | Bearing, Rulon                        |
| 6   | B1125918 | Idler Sprocket                          | 21  | B1120785 | Screw, Hex Head, 10-24x1/2            |
| 7   | B1123108 | Set Screw, Sprocket, 1/4-20x1/2         | 22  | B1500420 | Thrust Bearing                        |
| 8   | B1125922 | Gear Motor Drive Sprocket, 20-tooth     | 23  | B1500421 | Drive Shaft Spacer                    |
| 9   | B1120258 | Flat Washer, Gear Motor Mounting, 5/16  | 24  | B1500447 | Drive Shaft                           |
| 10  | B1500339 | Chain w/Connecting Link                 |     |          |                                       |
| 11  | B1500312 | Bearing, .500width                      |     |          |                                       |
| 12  | B1123233 | Screw, Flat Head, 10-24x1/2             |     |          |                                       |
| 13  | B1122038 | Split Clamp Collar                      |     |          |                                       |
| 14  | B1500315 | Drive Shaft                             |     |          |                                       |
| 15  | B1125920 | Drive Sprocket, 15-tooth, Plated        |     |          |                                       |

### MOTOR CONNECTIONS

**BETTCHEER**  
Industries, Inc.



| KEY | PART #   | DESCRIPTION                             | KEY | PART #   | DESCRIPTION                             |
|-----|----------|---|-----|----------|---|
| 1   | BI124751 | Connector, 1/2 Straight                 | 22  | BI120760 | Screw, Ground Wire, #10-24x3/8"         |
| 2   | BI105245 | Seal, 1/2 Conduit                       | 23  | BI120232 | Washer, Ground Wire, #10 External Tooth |
| 3   | BI122653 | Locknut, 1/2 Conduit                    |     |          |   |
| 4   | BI120784 | Screw, Hex Head, #10-24x5/8"            |     |          |   |
| 5   | BI124744 | Snap Bushing                            |     |          |   |
| 6   | BI125078 | Cable Clamp                             |     |          |   |
| 7   | BI120281 | Washer, Plain, #10                      |     |          |   |
| 8   | BI120330 | Nut, #10-24                             |     |          |   |
| 9   | BI500761 | Motor Cord, 115v                        |     |          |   |
| 10  | BI124746 | Power Cord Strain Relief                |     |          |   |
| 11  | BI500760 | Power Cord, 115V                        |     |          |   |
| 12  | BI123831 | Cable Clamp                             |     |          |   |
| 13  | BI500672 | Cord Assembly for Capacitor             |     |          |   |
| n/s | BI123219 | Screw, Flat Head, #10-24x5/8"           |     |          |   |
| 17  | BI124751 | Connector, 1/2 Straight                 |     |          |   |
| 18  | BI105245 | Seal, 1/2 Conduit                       |     |          |   |
| 19  | BI124750 | Power Switch Assembly, 2-Position, 115v |     |          |   |
| 20  | BI500344 | Power Switch Cover Assembly             |     |          |   |
| 21  | BI120784 | Screw, Hex Head, #10-24x5/8"            |     |          |   |