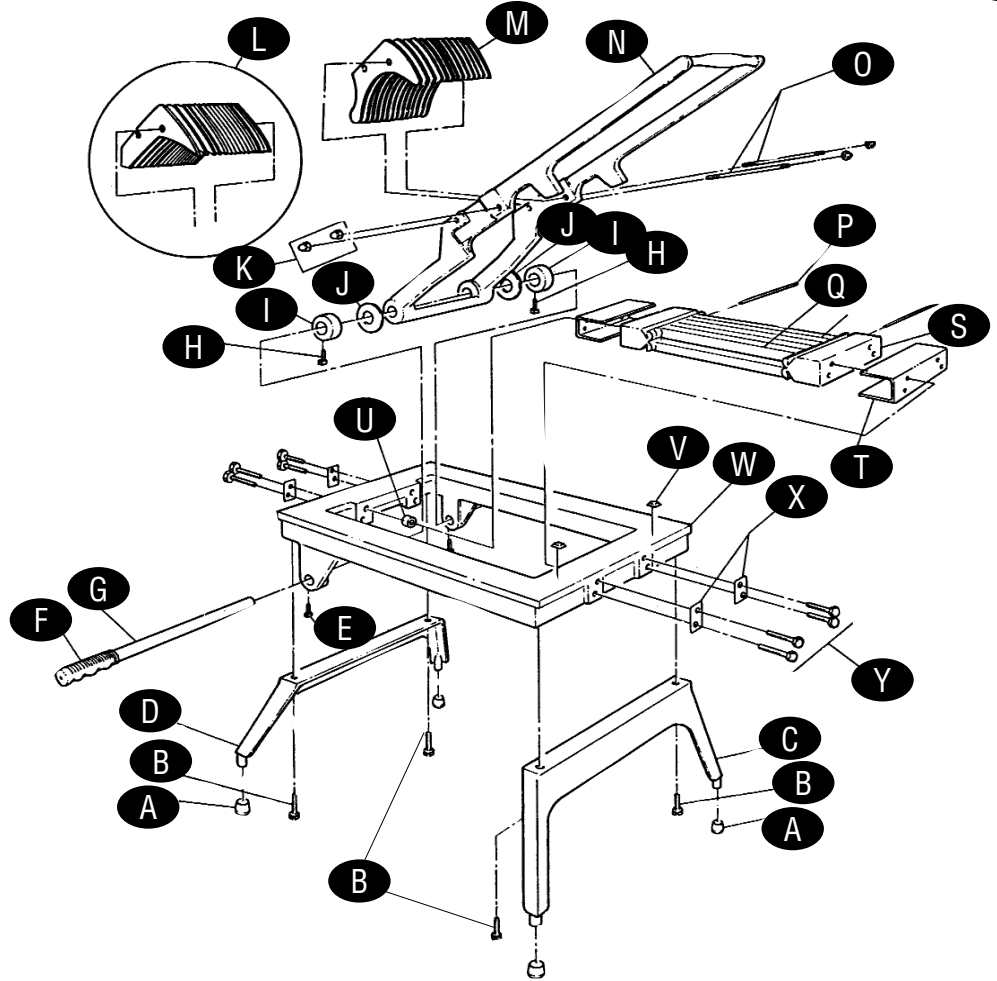


Lincoln REDCO
Foodservice Products, Inc.



KEY	PART #	DESCRIPTION	KEY	PART #	DESCRIPTION
A	RE303	Rubber Foot, Deep (new style)	P	RE047	Blade Block Pin (also part of Blade Block Assy.)
	RE060	Rubber Foot (old style)	Q	RE509	Blade Assembly, 3/16" (incl. 2 Shields, 13 Blades, 4 Blade Pins, 4 Blade Blocks, 8 Hx Hd Screws, 4 Bearing Plates)
B	RE414	Screw, Fillister Head, 1/4"-20x3/4"		RE510	Blade Assembly, 3/8" (incl. 2 Shields, 7 Blades, 4 Blade Pins, 2 Blade Blocks, 8 Hx Hd Screws, 4 Bearing Plates)
C	RE525	Front Legs (longest)		RE511	Blade Assembly, 1/4" (incl. 2 Shields, 11 Blades, 4 Blade Pins, 2 Blade Blocks, 8 Hx Hd Screws, 4 Bearing Plates)
D	RE526	Rear Legs (shortest)		RE512	Blade Assembly, 1/2" (incl. 2 Shields, 6 Blades, 2 Blade Pins, 2 Blade Blocks, 8 Hx Hd Screws, 4 Bearing Plates)
E	RE4422R	Screw, Square Head, 1/4"-20x3/8"	S	RE520	Blade Block, 3/16" cut
F	RE555	Vinyl Grip		RE522	Blade Block, 1/4" cut
G	RE556	Pivot Rod		RE521	Blade Block, 3/8" cut
H	RE5118	Screw, Square Head, 1/4"-20x1/2"		RE523	Blade Block, 1/2" cut, 503N & 503SN
I	RE558	Pivot Rod Locking Collar	T	RE5120	Double Blade Block Shield for 3/16" & 1/4" cut (also w/Blade Assemblies)
J	RE560	Nylon Washer		RE5121	Double Blade Block Shield for 3/8" & 1/2" cut (also w/Blade Assemblies)
K	RE519	Acorn Nut (also part of Pusher Head Assy.)	U	RE0655	Neoprene Gasket
L	RE507	Pusher Head Assembly	V	RE506	Pusher Head Rubber Bumper
M	RE504	Pusher Head Assembly, 3/16" cut (incl. 15 Fingers, 30 Spacers, 2 Rods, 4 Nuts)	W	RE554	Base Frame Casting
	RE505	Pusher Head Assembly, 1/4" & 1/2" cut (incl. 12 Fingers, 22 Spacers, 2 Rods, 4 Nuts)	X	RE5117	Bearing Plate
	RE507	Pusher Head, 1/2" cut, Sonic	Y	RE5116	Screw, Hex Head, 1/4"x20x2", 3/8" across flats
	RE515	Pusher Head Assembly, 3/8" cut (incl. 8 Fingers, 10 Spacers, 2 Rods, 4 Nuts)			
N	RE517	Handle Casting			
O		Finger Retaining Rods (part of Pusher Head Assy)			