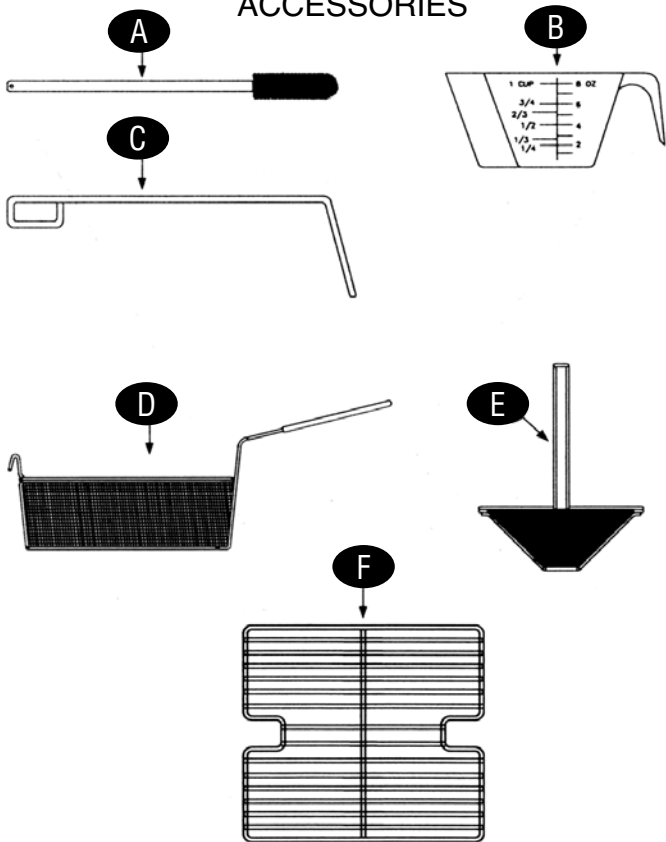


### FRYERS

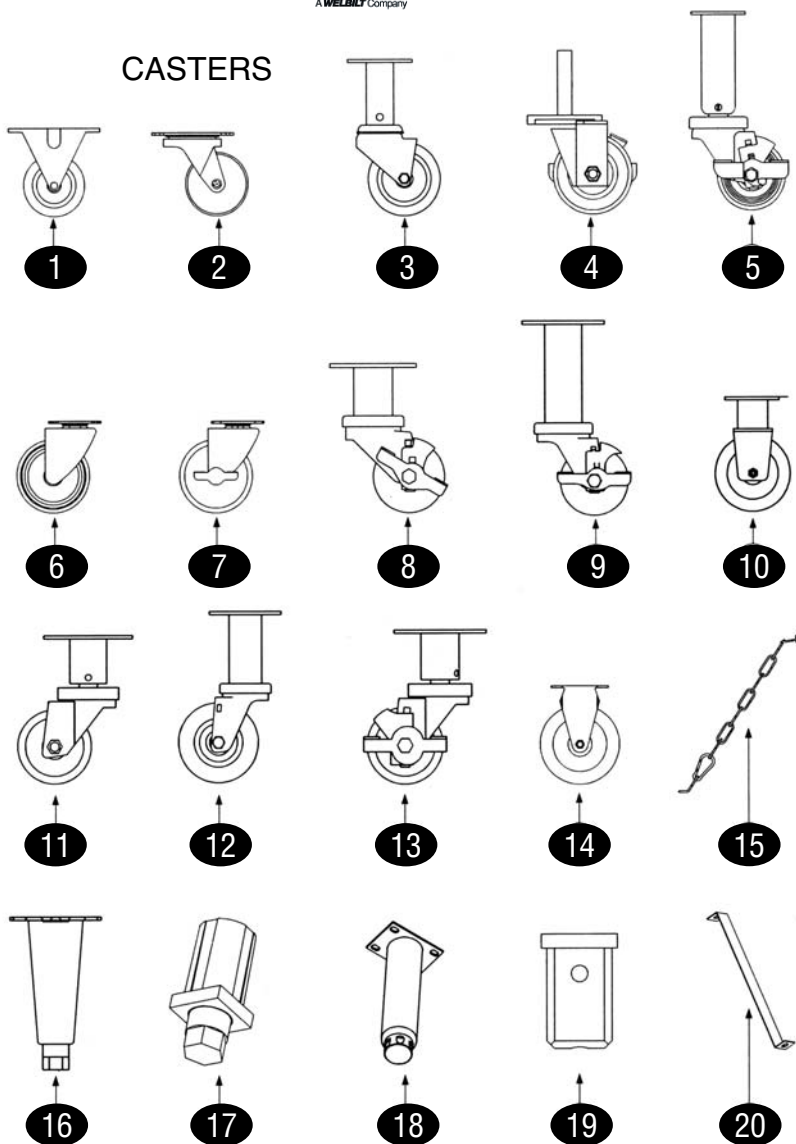
### Frymaster

A WELBILT Company

#### ACCESSORIES



#### CASTERS



We supply **all parts** to the Frymaster Fryers. Please call our knowledgeable sales staff for assistance in part replacement. Please have model & serial # ready.

KEY	PART #	DESCRIPTION	KEY	PART #	DESCRIPTION
A	FM803-0209	Frypot Brush	8	FM810-0651	Caster, w/Brake, 3"
B	H10132	Measuring Cup, Plastic, #1040	9	FM810-1239	Caster, Swivel, w/Brake, Post 8-1/2"
C	FM803-0197	Fryer Friend (Clean-out Rod), 27"	10	FM810-1242	Caster, Rigid, w/Brake
D	H70023	Fry Basket	11	FM810-1367	Caster, Adjustable, w/out Brake, 3"
E	FM803-0113	Sediment Tray, Full Vat, Electric	12	FM810-1494	Caster, Post 4", Swivel, w/out Brake, 8-1/2"
F	FM803-0132	Rack, Basket	13	FM810-1365	Caster, Adjustable, w/Brake, 3"
n/s	H70086	Filter Paper, pkg of 100 sheets	14	FM810-0378	Caster, Wheel, Stationary Rigid, 5"
n/s	FM806-3068	Cover, Full Vat Frypot (for S/N# 9700 & above)	15	FM826-0900	Chain Restraint Kit (for use on Fryers w/casters)
1	FM810-2807	Caster, Rigid, 2"	16	FM806-3811	Legs, 4", set of 4
2	FM810-2805	Caster, Swivel, 2"	17	FM810-0007	Leg, Adjustable (for 1-1/4"sq tubing)
3	FM810-0327	Caster, Adjustable, w/out Brake, 4"	18	FM826-1234	Leg, Adjustable w/hardware, 8-1/2"
4	FM810-1585	Caster, Stud, w/Lock, Single FP, 3"	19	FM810-1414	Insert, Square Leg, Baby Footprint
n/s	FM823-2844	Caster, Stud, w/Brake, Single FP Electric	n/s	FM910-7925	Leg, w/Caster, Front Filter, Single Footprint
5	FM810-0944	Caster, Adjustable, w/Brake, 3"	n/s	FM910-1601	Leg, Square, Front Filter Cabinet
6	FM810-0356	Caster, Wheel, w/out Brake, 5"	n/s	FM910-8659	Leg, Front Cabinet, Common Single FP Electric
7	FM810-0357	Caster, Wheel, w/Brake, 5"	20	FM900-2941	Strap, Anchor, Common Electric
			n/s	FM900-2941	Strap, Anchor, Single Fryers w/Legs