

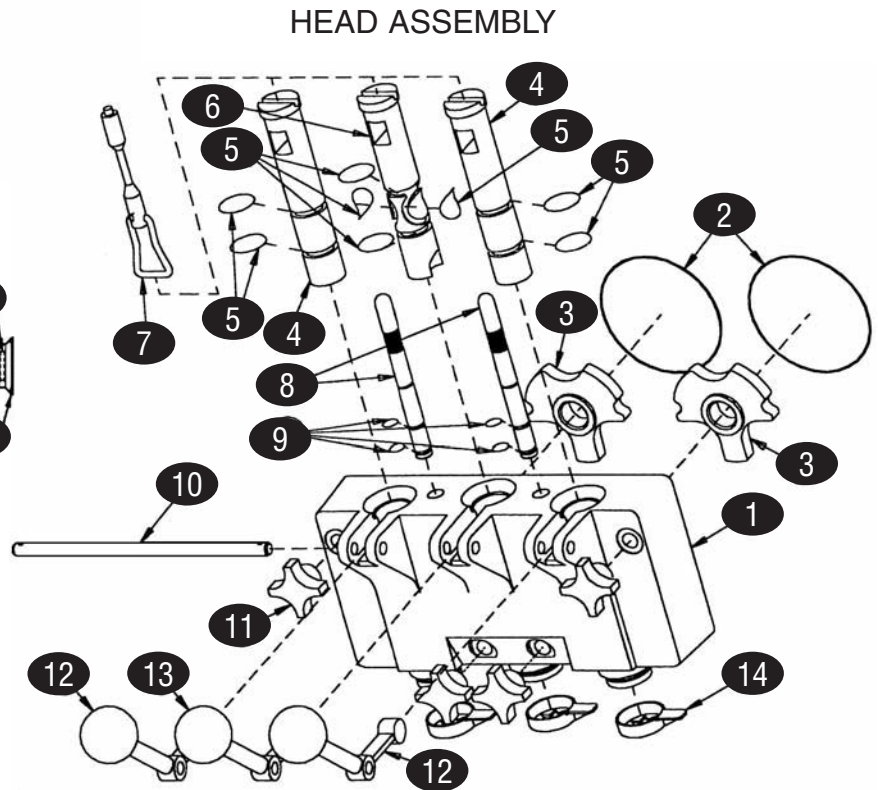
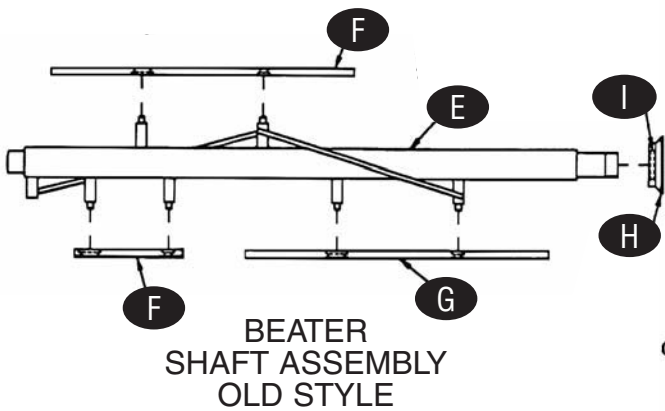
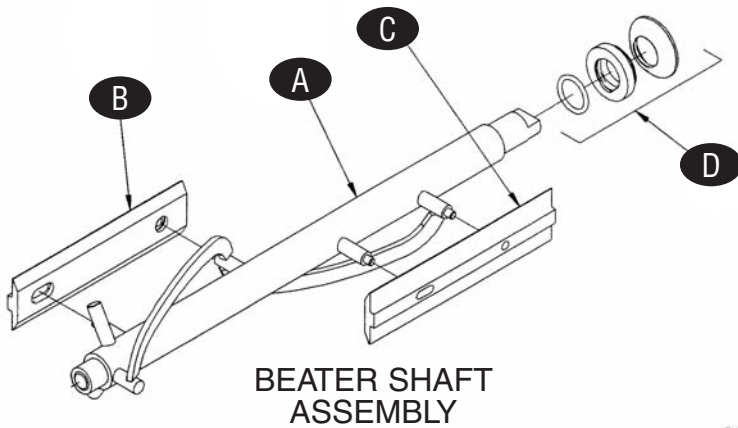
# refrigeration

## ICE CREAM MACHINE

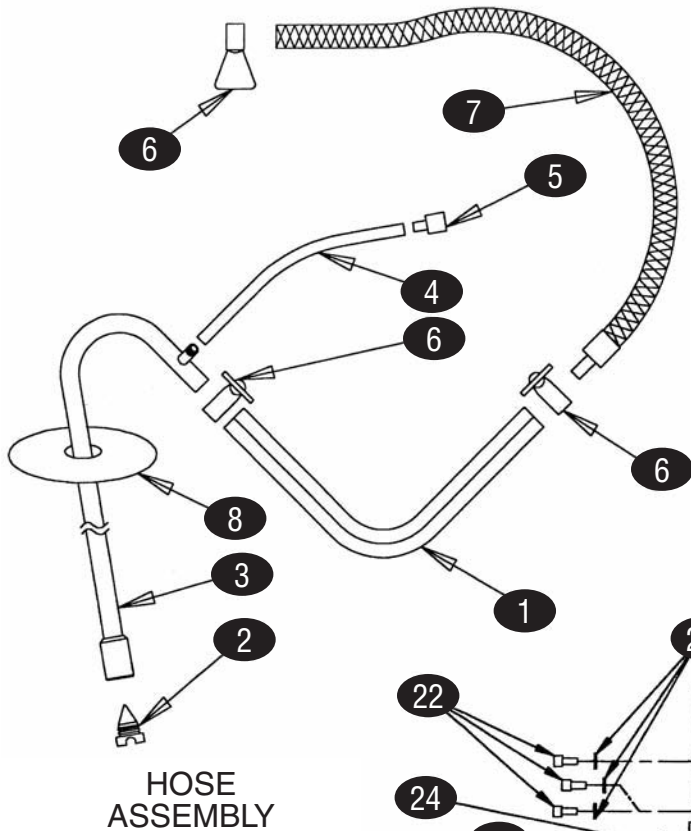
SOFT SERVE #30T-CMT

**HAGAR**

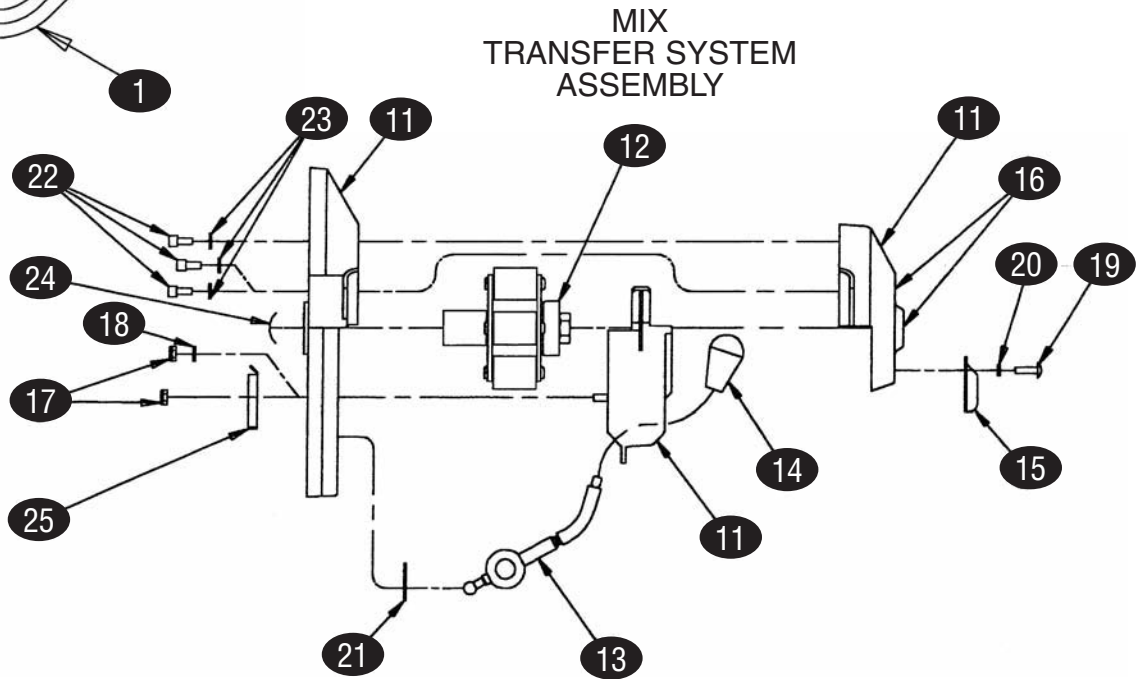
**ELECTRO FREEZE**



KEY	PART #	DESCRIPTION	KEY	PART #	DESCRIPTION
A	EF117079	Beater Shaft		EF162629	Ball Knob 3/8-16 THD Black
B	EF138830	Front Blade Scraper	13	EF114808	Center Dispense Handle Assy, includes
C	EF138831	Rear Blade Scraper		EF162629	Ball Knob 3/8-16 THD Black
D	EF111875	Shaft Seal Assembly	14	EF196185	Serrated Nozzle
1	EF116041	Head Assembly, 3 Spigot	n/s	EF114341	Cylinder Stud Assembly
2	EF159309-01	O-Ring, Head	n/s	EF116410	Head Switch, Safety
3	EF138427	Dispense Head Bushing	n/s	EF116087	Dispensing Head, Single Spigot
4	EF137174	Plunger, Left & Right Side	n/s	EF118902	Dispensing Head, Complete, Single Spigot
5	EF160501	O-Ring, Plunger, pkg of 5	n/s	EF116100	Tune Up Kit
6	EF138009	Dispense Center Plunger	E	EF115986	Beater Shaft
7	EF116089	Plunger Switch Push Rod Assembly	F	EF137934	Blade Scraper, Short
8	EF138149	Air Bleed Plug, Relief	G	EF137334	Blade Scraper, Long
9	EF160610	O-Ring, Air Plug, pkg of 10	H	EF111875	Shaft Seal w/O-Ring
10	EF160269	Handle Pin	I	EF160500	O-Ring Seal
11	EF162625	Hand Knob			
12	EF110007	Side Dispense Handle Assembly, includes			



Having your **serial #** ready before ordering ElectroFreeze parts, when calling our sales staff, will ensure speed & accuracy.



KEY	PART #	DESCRIPTION	KEY	PART #	DESCRIPTION
1	EF138184	Transfer Hose, Black Striped	18	EF160157	Washer 1/2X.196X1/16"
2	EF199032	Inlet Valve, Duckbill, Pkg of 5	19	EF160026	TRPM Screw #10-32X5/8 SST
3	EF116069	Pickup Tube Assembly	20	EF160158	Flat Washer .190X.365X.075 SST
4	EF138170	Air Hose Tube	21	EF138142	Pivot Plate Cover
5	order by meter#	Air Meter	22	EF160307	SKHC Screw #10-32X7/16 SST
6	EF116065	Clamp, Butterfly, 5/8"	23	EF159962	Flat Washer #10 SST
7	EF116094	Mix Braided Hose Assembly	24	EF160145	Curved Spring Washer
8	EF199033	Mix Tube Boot Seal	25	EF117125	Slide Actuator Assembly
11	EF117054	MTS Housing Assembly w/o Roller & Taper Knob			
n/s	EF116013	MTS Housing Assembly, Complete			
12	EF116009-01	Complete Roller Kit			
13	EF116164	Round Handle Assembly MTS			
14	EF162627	Oval Taper Knob MTS			
15	order by freezer#	Swing Hook MTS			
16	EF165018	Mix Transfer Decal			
17	EF159421	EL Stop Nut #10-32			

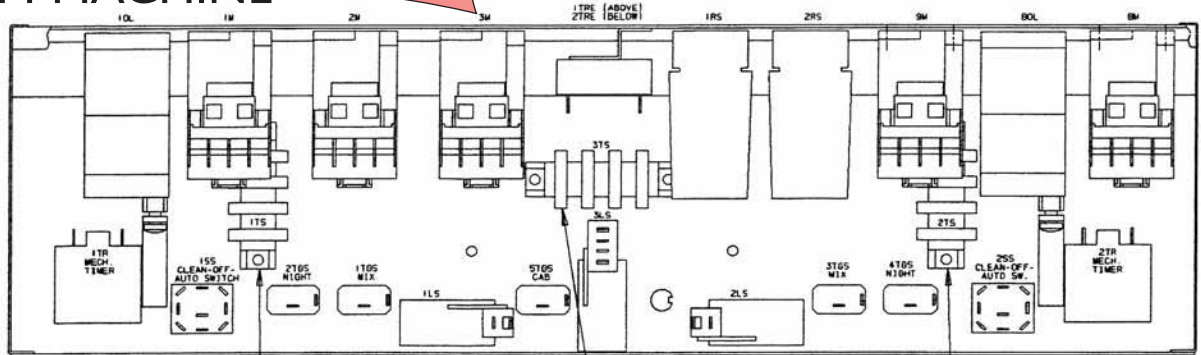
# refrigeration

## ICE CREAM MACHINE

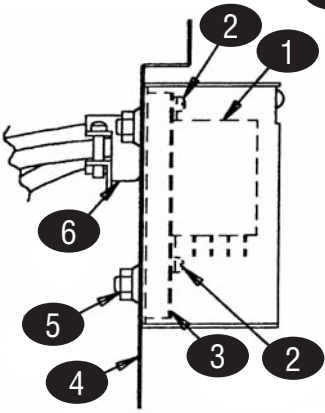
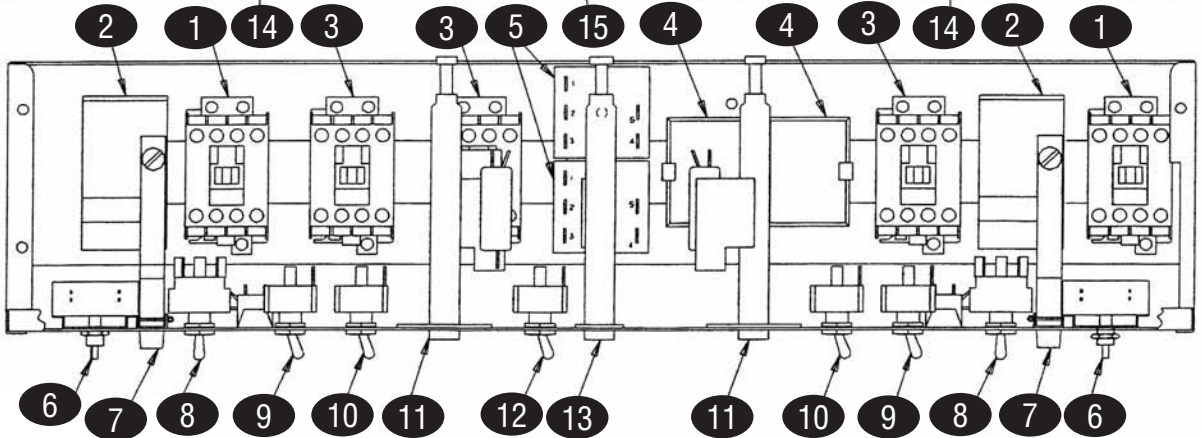
SOFT SERVE #30T-CMT

ELECTRO FREEZE

HAGAR



SWITCH BOX



Detailed Drawings of Filter and MOV Assemblies

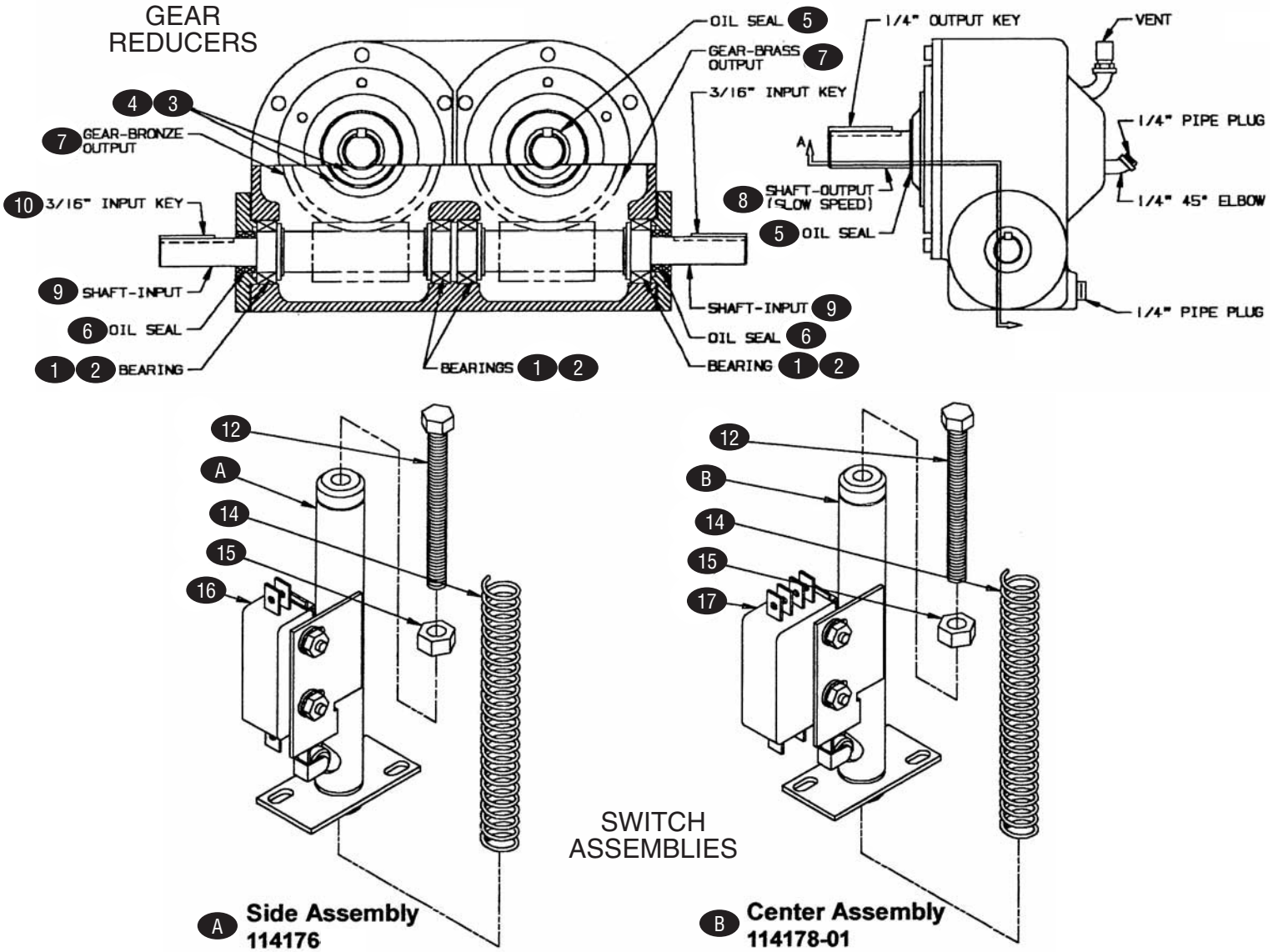


Item #16B  
MOV-Assy.  
116188



Item #16A  
Filter-Assy.  
116125

KEY	PART #	DESCRIPTION	KEY	PART #	DESCRIPTION
1	EF150155	IEC Beater Motor Contactor	8	EF150465	Toggle Switch 3PDT Center OFF
2	EF118359	Overload Relay Assy 1 Ph 5-15A, includes	n/s	EF116125	Filter Assy, LH
	EF150145	Overload Din Rail Adaptor	9	EF159235	Toggle Switch SPST, DAY/NIGHT
	EF150150	Overload Reset Adaptor Button	10	EF159235	Toggle Switch SPST, Mix Transfer System
	EF150140	SS Overload Relay 1 Ph 5-15A	11	EF114176	Self Closing Plunger Switch Assy, includes
	EF118361	Overload Relay Assy 3 Ph 3.7-12A, includes		EF150477	Roller Actuator Switch SPDT
	EF150145	Overload Din Rail Adaptor		EF162323	Spring Compression
	EF150150	Overload Reset Adaptor Button	12	EF159235	Toggle Switch SPST, Cabinet
	EF150142	SS Overload Relay 3 Ph 3.7-12A	13	EF114178	Self Closing Plunger Switch Assy, Center, includes
3	EF150155	IEC Contactor		EF150478	Roller Actuator Switch DPDT
4	EF150202	Mix Level Indicator		EF162323	Spring Compression
	EF150540	Indicator Light	14	EF150795	Terminal Strip
	EF150119	Octal Socket	n/s	EF116188	M.O.V. Assy
5	EF150208	Timer, 12 Sec. Delay on Break	15	EF150795	Terminal Strip
6	EF114240	Timer, 5 Minute			
n/s	EF162604	Timer Knob			
7	EF118390	Lever, Reset & Button, includes			
	EF159036	Reset Button			



KEY	PART #	DESCRIPTION	KEY	PART #	DESCRIPTION
1	EF153014	Bearing Cup, High Speed, 3/4"	A	EF114176	Self Closing Plunger Switch Assembly
2	EF153015	Bearing Cone, High Speed, 3/4"	12	EF159965	Screw, HSHM 1/4"-20x2-1/2", Zinc
3	EF153011	Bearing Cup, Slow Speed, 1"	14	EF162323	Spring Compression
4	EF153012	Bearing Cone, Slow Speed, 1"	15	EF160104	Hex Nut, 1/4"-20, Zinc
5	EF153051	Oil Seal, Slow Speed, 63x291	16	EF150477	Roller Actuator Switch, SPDT
6	EF153053	Oil Seal, High Speed, 63x291	B	EF114178-01	Self Closing Plunger Switch Assembly
7	EF153349	Bronze Gear	12	EF159965	Screw, HSHM 1/4"-20x2-1/2", Zinc
8	EF153350	Shaft, Slow Speed	14	EF162323	Spring Compression
	EF153000	Output Gear Assembly, Slow Speed	15	EF160104	Hex Nut, 1/4"-20, Zinc
9	EF153348	Input Shaft, High Speed	16	EF150477	Roller Actuator Switch, SPDT
n/s	EF114874	Gasket Reducer Kit	17	EF150478	Roller Actuator Switch, DPDT
n/s	EF111964	Coupling Assembly 1" Drive			
n/s	EF158055	Lube Oil, Special Gear			
10	EF153322	Key, High, 3/16"x1-1/2"			
	EF153323	Key, Slow, 1/4"x1-1/2"			

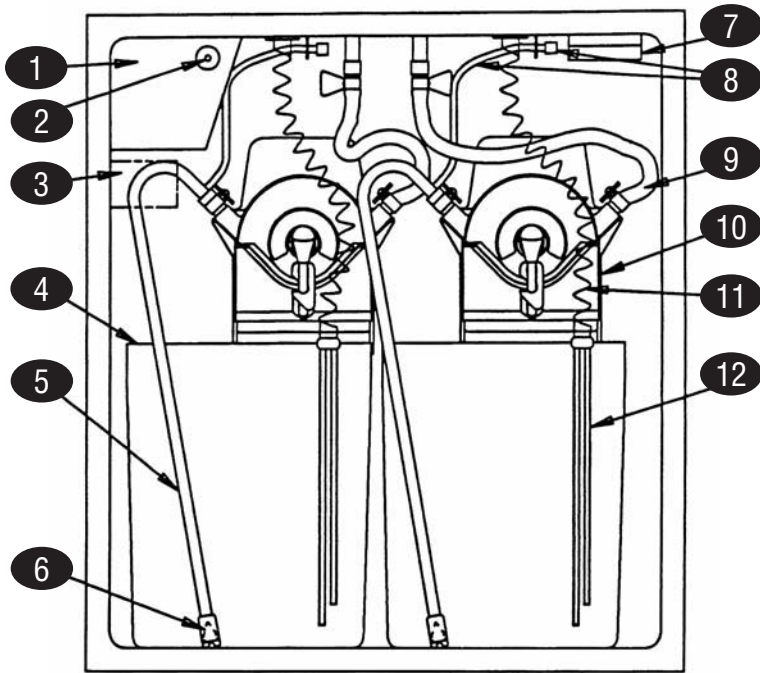
# refrigeration

SOFT SERVE #30T-CMT

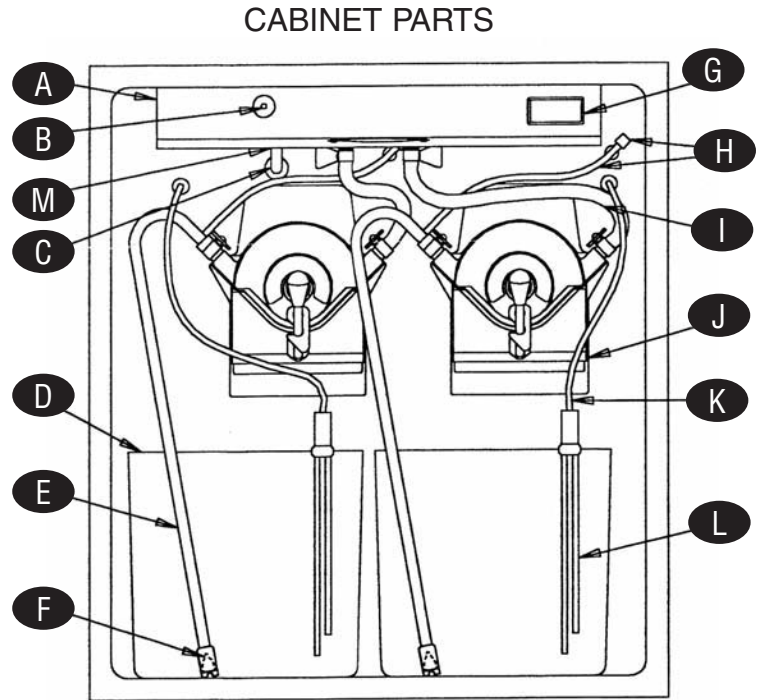
**HAGAR**

ICE CREAM MACHINE

**ELECTRO FREEZE**



CABINET PARTS  
OLD STYLE



CABINET PARTS

KEY	PART #	DESCRIPTION	KEY	PART #	DESCRIPTION
1	EF155109	Coil, Cabinet	A	EF117129-01	Evaporator Shroud Assembly, includes
n/s	EF159030	Motor, Cabinet Fan		EF150532	Male Plug Cord Assembly
n/s	EF155113	Grill & Bracket Fan Assembly		EF151105	Motor, Evaporator w/Fan, 208v
	EF155114	Knob, CAB Condenser		EF151076	Open Fan Guard
	EF155116	Fan Blade, Plastic		EF150509	Door Push Button Switch
2	EF119163	Door Switch		EF161004	Barrel Thermometer
n/s	EF114630	Actuator, Door Switch	n/s	EF155111	Evaporator Coil
3	EF136297	Pan, Condensate	n/s	EF150533	Female Plug Cord Assembly
4	EF196222	Mix Container, 7gal	B	EF150509	Door Push Button Switch
	EF113997	Cover, Front Container		EF118597	Door Switch Actuator Assembly
	EF138165	Cover, Rear Container	C	EF196068	Tubing, .375X.5000D
	EF199033	Seal, Cover	D	EF196222	Mix Container 7Gal 13-1/4"
5	EF116069	Pick-up Tube Assembly		EF113997	Mix Tank Front Cover Assembly
	EF116065	Butterfly Clamp Assembly, 5/8"		EF138165	Mix Tank Rear Cover
6	EF199032	Valve, Duckbill, pkg of 5		EF199033	Mix Tube Boot Seal
7	EF161001	Thermometer, Cabinet	E	EF116069	Pickup Tube Assembly
8	EF138170	Air Hose		EF116065	Butterfly Clamp Assembly, 5/8"
	EF163430	Air Meter, #17	F	EF199032	Duckbill Inlet Valve
	EF150772	Clamp, Air Hose	G	EF161004	Barrel Thermometer, Cabinet
9	EF116094	Hose Assembly, Braided	H	EF138170	Air Tube Hose
	EF138184	Transfer Hose			Air Meter
	EF116065	Butterfly Clamp Assembly, 5/8"	I	EF116094	Mix Braided Hose Assembly
10		MTS (pictured only)		EF138184	Black Line Transfer Hose
11	EF150527	Cordset, Retractable		EF116065	Butterfly Clamp Assembly, 5/8"
n/s	EF150528	Receptacle, Cordset	J		MTS (pictured only)
12	EF115397	Probe Assembly	K	EF150537	Mix Level Cordset Probe
	EF137120	Base, Probe Mounting		EF150536	Molded Receptacle Level Sensor
n/s	EF155416	Expansion Valve, CAB	L	EF115397	Mix Level Probe Assy 10-3/4"
n/s	EF164027	Decal, MTS Hook-up	M	EF160738	Drain Hose Clamp
				EF138919	Drain Tube Support



# refrigeration

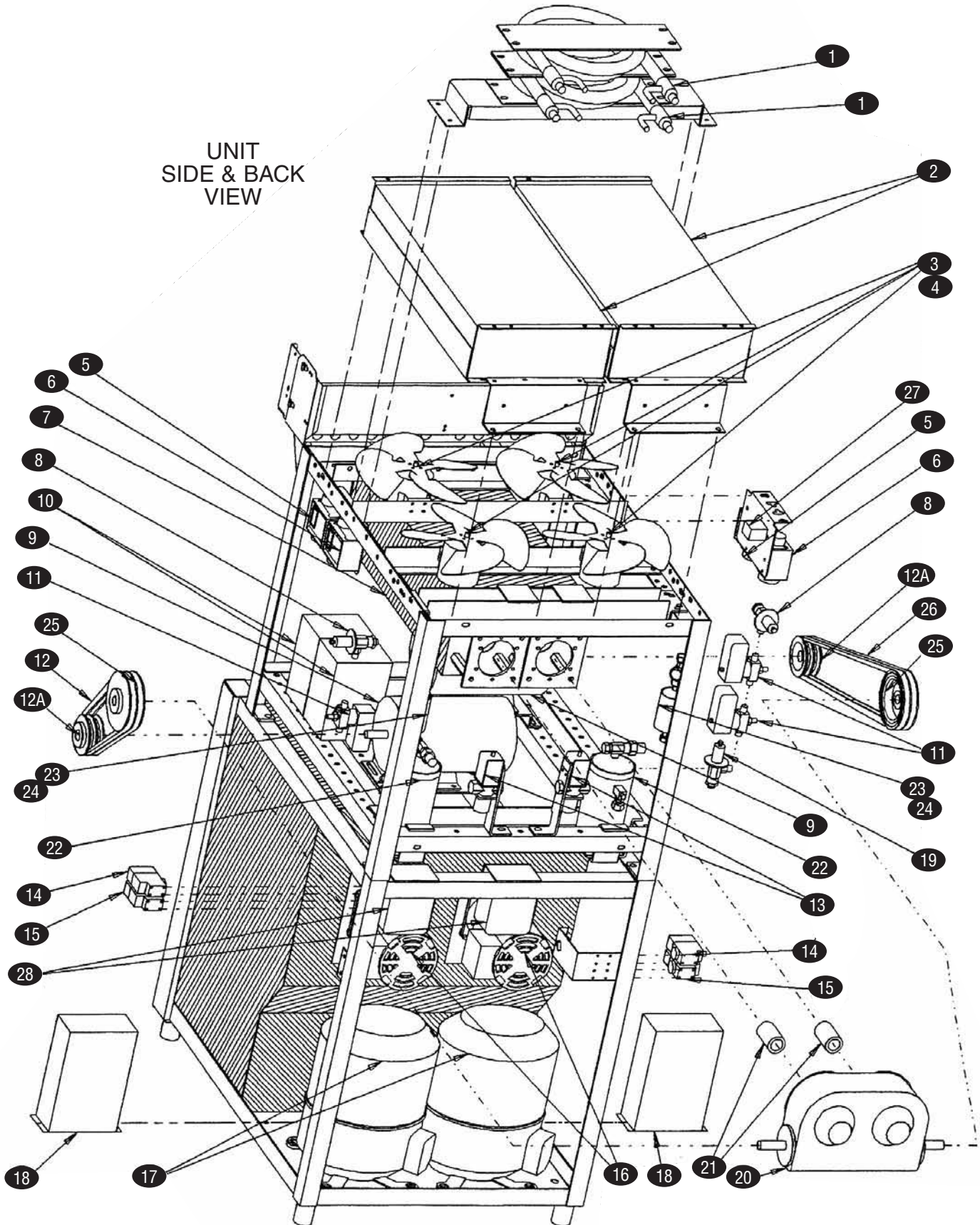
ICE CREAM MACHINE

SOFT SERVE #30T-CMT

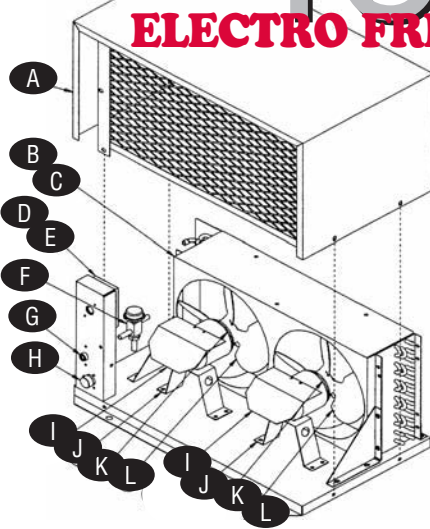
**HAGAR**

**ELECTRO FREEZE**

UNIT  
SIDE & BACK  
VIEW



AIR COOLED  
REMOTE  
CONDENSOR



Most Condensers for  
ElectroFreeze Ice Cream Machines  
are Special Order. Please specify  
Model#, Phase & Voltage  
when ordering.

KEY	PART #	DESCRIPTION	KEY	PART #	DESCRIPTION
1	EF119003-01	Water Condenser		EF151447	Run Capacitor
2	EF155120	Air Condenser		EF151448	Compressor Start Cap & Relay Kit
	EF116564	Rear Air Bracket Assembly		EF155054	Dryer Filter
	EF116565	Front Air Bracket Assembly		EF151433	Grommet, Compressor Mounting
	EF113989	Air Condenser Hanger Assembly		EF151434	Sleeve, Compressor Mounting
3	EF159023	Fan Blade 11" 36°, air cooled	18	EF151362	Capacitor & Relay Box Assy, 1-Phase, includes
4	EF151077-01	Fan Motor 50W 230V, air cooled		EF150398	Start Capacitor
5	EF119989	Low Thermostat, day		EF150399	Run Capacitor
6	EF119989	Low Thermostat, night		EF150401	Relay
7	EF118593	Complete Cylinder Assy		EF118647	Cap & Relay Box Assembly, includes
n/s	EF117014	Pressure Switch Field Repl. Kit		EF151447	Run Capacitor
n/s	EF116105	Pressure Switch Nut Assembly		EF165066	Compressor Wire Decal
n/s	EF116410	Dispense Head Switch Kit		EF151448	Compressor Start Cap & Relay Kit
	EF15004-01	Drain Tube Assy, 20-1/4"	19	EF155449	Automatic Expansion Valve, Cabinet
8	EF155448	Automatic Expansion Valve	20	EF153341	Reducer
9	EF151066	Leeson Motor, 2 HP 3-Phase, 208/230V	21	EF111964	Coupling Assembly, 1" Drive
	EF118254	Motor and Cap Kit 2HP 1-Phase, includes	22	EF155057	Receiver, 3lb, Air or Water cooled
	EF150318	Run Capacitor	23	EF155054	Dryer Filter
	EF150319	Start Capacitor	24	EF155059	Sight Glass
10	EF150319	Capacitor Box, motor	25	EF153625	Sheave, Bore 4.750D, Driven
	EF150318	Run Capacitor 1-Ph		EF153322	Drive Key, 3/16sqX1-1/2"
11	EF155421	Solenoid Valve, 208/240V	26	EF160495	Screw, SK Set, 1/4-20X1/4"
n/s	EF155434	Solenoid Valve Kit	27	EF153171	Belt, LH, set of 2
12	EF153161	V-Belt	28	EF119310	Thermostat Assembly w/Cover, Cabinet
12A	EF153626	Sheave, 7/8" Bore 3.250D, Driver	28	EF150202	Mix Level Indicators
n/s	EF153322	Drive Key 3/16sqX1-1/2"	n/s	EF161216	Sensor, 10K Thermistor
n/s	EF160495	Screw, SK Set, 1/4-20X1/4"	A	EF117207	Condenser Cover Assembly
13	EF155410	Water Valve, 3/8"	B	EF155120	Air Condenser
n/s	EF155444	Water Valve Repair Kit	C	EF138465	Fan Shroud
14	EF155425	High Pressure Cut Out	D	EF150732	Electric Box, 2-3/4x4-1/2x2"
15	EF155403	Low Pressure Cut Out, Air & Water Cooled	E	EF150737	Electric Box Cover, 2-3/4x4-1/2"
16	EF151129	Gearmotor 1/8 HP, Mix Transfer	F	EF155454	Head Pressure Control Valve
17	EF118235	Compressor Assembly 3-Phase, includes	G	EF153420	Coupling, Refr. 3/8MQC 3/8SW
	EF155054	Dryer Filter		EF140039	Plate, Coupling Mounting
	EF155419	Access Valve	H	EF153418	Coupling, Ref. 1/2MQC 1/2SW
	EF118234	Compressor Assembly 1-Phase, includes		EF153502	Flange, Refr. Coupling Mount
	EF150398	Start Capacitor		EF153503	Dust Refr. Coupling Cap
	EF150399	Run Capacitor	I	EF139017	Motor Rain Shield
	EF155054	Dryer Filter	J	EF137632	Fan Condenser Bracket
	EF150401	Relay	K	EF151072	Fan Motor 50W 230V 60Hz
	EF155419	Access Valve	L	EF159029	Fan Blade 11"Dia 36°
17	EF118686	Compressor Assembly 3-Phase, includes	n/s	EF155058	Horizontal Mount Receiver 12lb
	EF155054	Dryer Filter	n/s	EF155465	Low Pressure Cut Out
17	EF118685	Compressor Assembly 1-Phase includes			