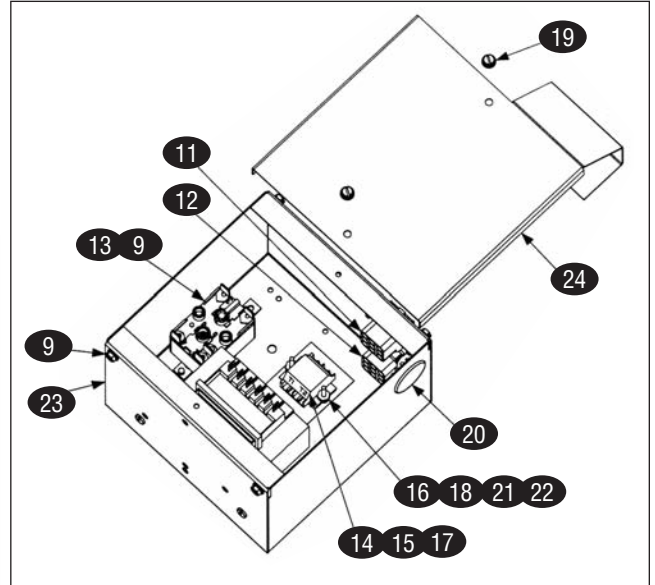
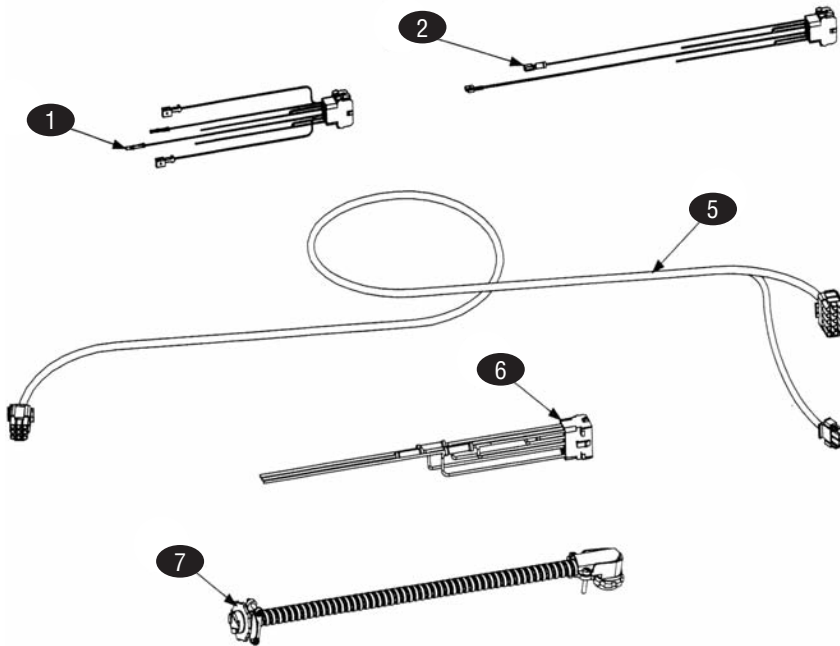
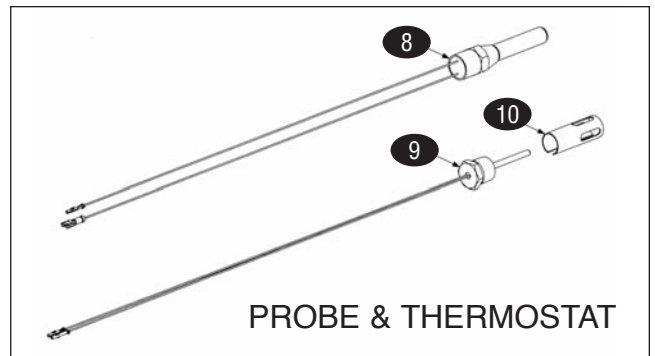


FRYER MISC

FILTER BOX WIRING



FILTER BOX & ASSEMBLY



PROBE & THERMOSTAT

KEY	PART #	DESCRIPTION	KEY	PART #	DESCRIPTION
1	FM806-8021SP	Plug Assembly, Upper 9-Pin, 120V U.S. & 100/120V Non-CE Export		FM806-6719	5-Wires w/o keying Plug in Pin 6
2	FM806-7494SP	Plug Assembly, Lower 9-Pin, 120V U.S.	13	FM806-7494	5-Wires w/keying Plug in Pin 6
5	FM810-1062	Cable, Filter Box Lower 9-Pin Plug to 807-2000/2001 C2 Connector (FP)		FM807-2434	Relay, 5-Terminal Pump Motor, (for 4-Terminal use 807-0012)
	FM807-2016	Cable, Filter Box Lower 9-Pin Plug to 807-2000/2001 C2 Connector (FM)	14		Transformer
	FM807-2000	Cable, 810-1062 C2 Connector to Component Box, units w/Basket Lift		FM807-2176	100-120V Primary 12/24V Dual-Tap Secondary 50/60Hz 50V A
6	FM807-2001	Cable, 810-1062 C2, Connector to Component Box, units w/o Basket Lift	15	FM807-0800	120V Primary 24V Secondary 50/60Hz 50V A
7		Pump Motor to Filter Box Wiring Assembly	16	FM809-0096	Screw, 6-32x5/2" Slot Head
	FM806-6728SP	Wiring Assembly, FootPrint	17	FM809-0237	Nut, Keps Hex, #4-40
	FM806-4347	Wiring Assembly, Filter Magic	18	FM809-0250	Nut, Keps Hex, #6-32
8	FM826-1177	Thermostat, Hi Limit, 425°F/218°C	19	FM809-0354	Screw, 4-40x3/4" Slotted Pan Head
9	FM806-4206	Temperature Probe	20	FM809-0360	Screw, Slotted Washer Hex Head, #8x3/8"
10	FM810-0625	Probe Guard	21	FM810-0044	Plug, 7/2"
	FM807-2168	Wiring Harness, CE Main	22	FM810-1164	Terminal Block
11		Plug Assembly, Top Position	23	FM816-0217	Paper, Insulating
	FM806-6725	4-Wires w/o keying Plug	24	FM900-5250	Box, FP III Filter
	FM806-8021	6-Wires w/keying Plug in Pin 5		FM900-5530	Cover, FP III Filter Box
12		Plug Assembly, Bottom Position			