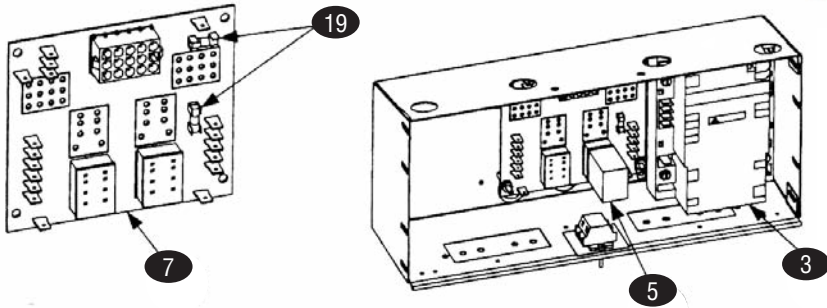


cooling

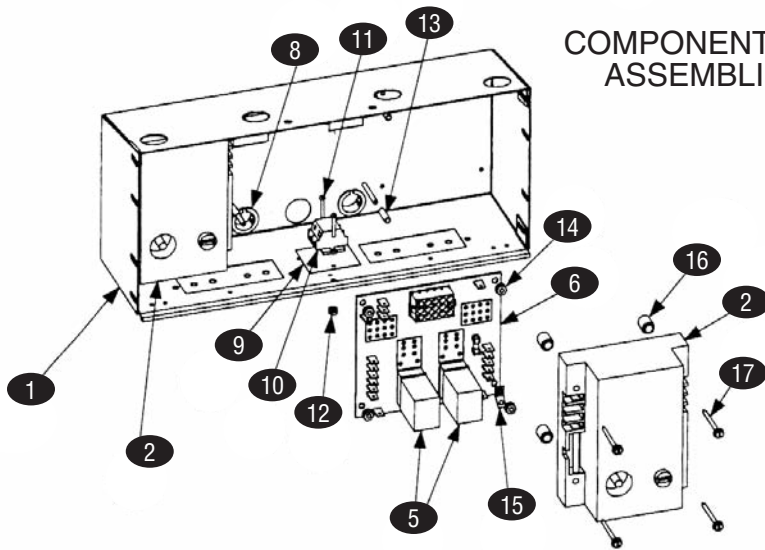
H50 - COMPONENT & CONTROLLER ASSEMBLIES



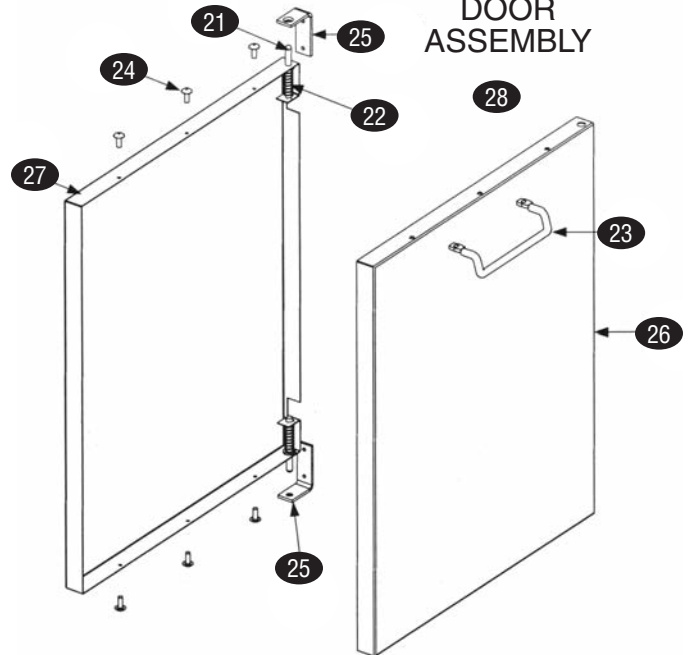
FRYERS



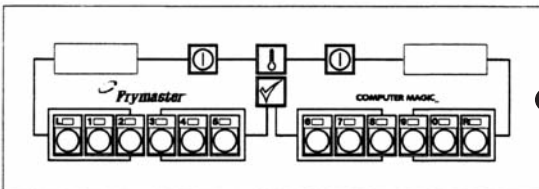
COMPONENT BOX ASSEMBLIES



COMPLETE DOOR ASSEMBLY



COMPUTER ASSEMBLY



KEY	PART #	DESCRIPTION	KEY	PART #	DESCRIPTION
1	FM806-9849	Box Assy, One-Piece Component	18	FM826-2286	Full Vat, Computer Magic III
2	FM807-1006	Ignition Module, Blue	19	FM807-3843	Fuse, Interface Board, 3A
3	FM807-3366	Ignition Module, Dual Spark, Red	n/s	FM826-2324	Computer, FV Euro, FPPH
	FM807-3365	Ignition Module, Dual Vat	21	FM806-4487SP	Door Pin Assy
5	FM807-0833	Relay, 12V 5A Latch	22	FM826-1343	Spring, Door Pin
n/s	FM807-0834	Relay, 12V 5A Basket Lift	23	FM810-1422	Door Handle, Wireform, S/S (ordered separately)
7	FM826-2264	Interface Board, 24 VAC	24	FM826-1379	Screw, Phillips Head, #10x1/2", Zinc Plated
8	FM807-1926	Bushing, .875Diameter Split	25	FM810-1508	Door Hinge, Bracket
9	FM816-0217	Insulating Paper	26	FM824-0616SP	Panel, Outer Door,
10	FM810-1164	Block, Terminal	27	FM900-6595	Liner, Door, use w/806-1962
11	FM809-0354	Screw, Slotted Round Head, 4-40x3/4" (see #9)		FM900-4807	Liner, Door, use w/806-6405
12	FM809-0237	Nut, Keps Hex, #4-40 (see #9)	n/s	FM809-0193	Washer, Nylon Flat, 1/4"
13	FM807-1241	Spacer, Interface Board, .151"IDx5/8"	n/s	FM810-0066	Magnet, Door, use w/806-1962
14	FM809-0250	Nut, Keps Hex, #6-32		FM810-1105	Magnet, Door, use w/806-6405SP
15	FM826-1337	Tab, Push-On Terminal, pkg of 5	28	FM806-1962	Door Assembly, Short, S/S, for FMH units
16	FM826-1346	Spacer, Ignition Module, .260"IDx1/2"		FM806-6405SP	Door Assembly, use on FPH units
17	FM809-0441	Screw, Slotted Washer Hex Head, #7x1-1/2"			