

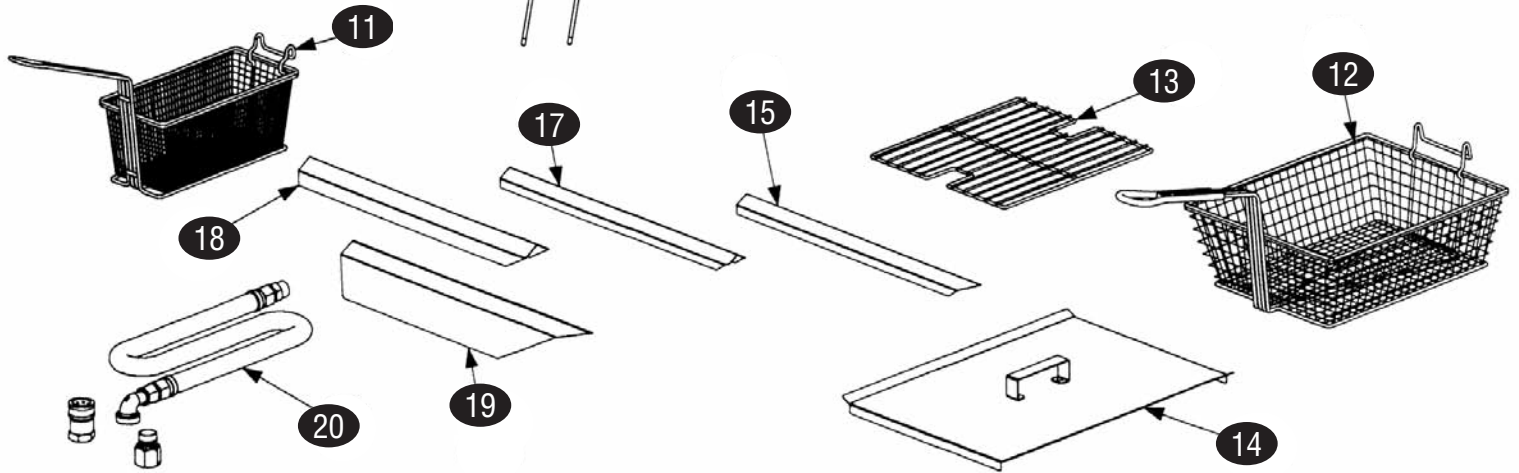
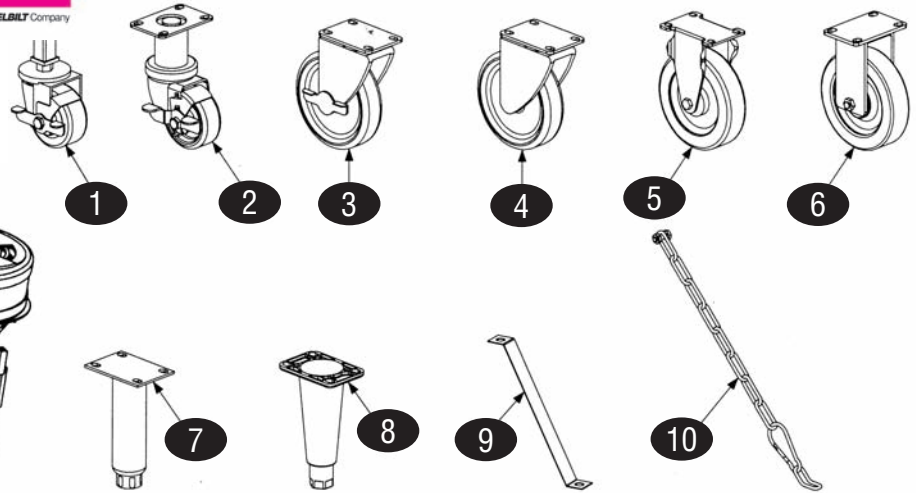
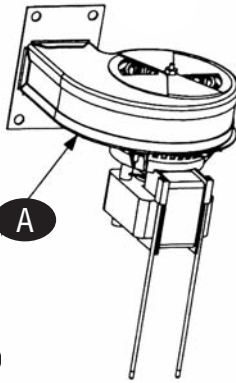
Frymaster

A WELBILT Company

FRYERS



BLOWER MOTOR



| KEY | PART # | DESCRIPTION | KEY | PART # | DESCRIPTION |
|-----|--------------|---|-----|------------|--|
| A | FM106-2994SP | Blower, Left, w/1.54"W Housing, 115V, 50/60 Hz | 18 | FM910-2285 | Connecting Strip, blunt point, 1"x20.80"Long |
| 1 | FM823-2669 | Caster, Front, Single Foot Print | 19 | FM910-2572 | Connecting Strip, sharp point, 3"x21.84"Long |
| 2 | FM826-1130 | Caster, Swivel w/Brake, 3" | 20 | FM806-1698 | Gas Line, 1" Flexible, 36"Long |
| 3 | FM826-1118 | Caster, Swivel w/Brake, 5" | | FM806-1699 | Gas Line, 1" Flexible, 42"Long |
| 4 | FM826-1117 | Caster, Swivel w/o Brake, 5" | n/s | FM810-2793 | Basket Hanger |
| 5 | FM826-1138 | Caster, Rigid w/o Brake, 5" | n/s | FM826-1351 | Nut - Tinnerman Clip |
| 6 | FM826-1114 | Caster, Rigid w/o Brake, 5" | n/s | FM809-0171 | Thumb Screw for Basket Hanger |
| 7 | FM826-1237 | Leg Assy, Stainless Steel | | | |
| 8 | FM826-1115 | Leg Assy, Nickel Plated | | | |
| 9 | FM826-1095 | Anchor Strap Kit, use on Single Fryers w/Legs | | | |
| 10 | FM826-0900 | Chain Restraint Kit, use on Fryers w/Casters | | | |
| 11 | H70023 | Fry Basket, Twin | | | |
| 12 | FM803-0099 | Full Basket, not used with Basket Lifts | | | |
| 13 | FM803-0132 | Basket Support Rack, Full Vat | | | |
| n/s | FM803-0136 | Basket Support Screen, Full Vat (used in place of | | | |
| 14 | FM806-5518 | Cover, Frypot, Full Vat | | | |
| n/s | FM810-0180 | Handle, Frypot Cover | | | |
| 15 | FM910-7515 | Connecting Strip, sharp point, 1/2"x21.73"Long | | | |
| 17 | FM910-4617 | Connecting Strip, blunt point, 1/2"x20.70"Long | | | |