

COOKING

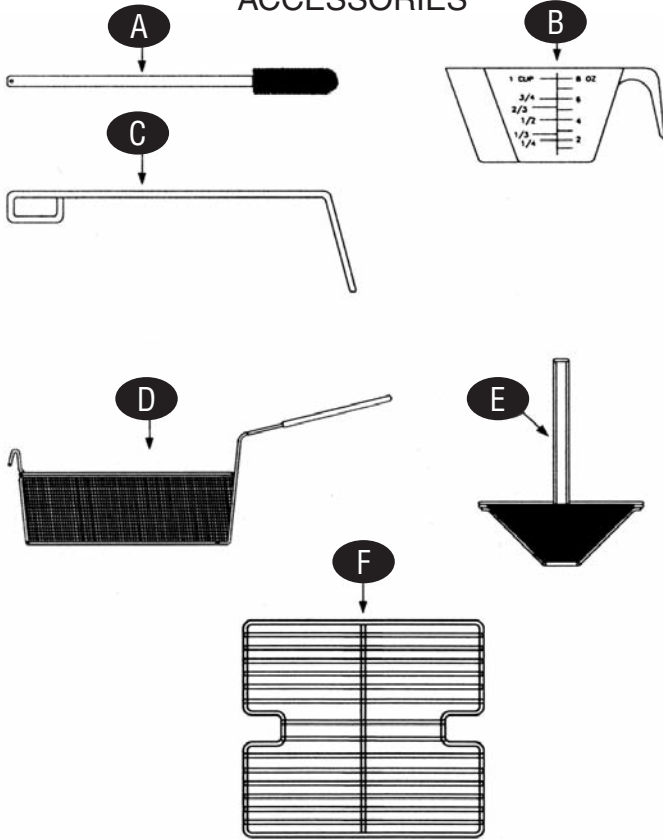
FRYMASTER H17 - ACCESSORIES

FRYERS

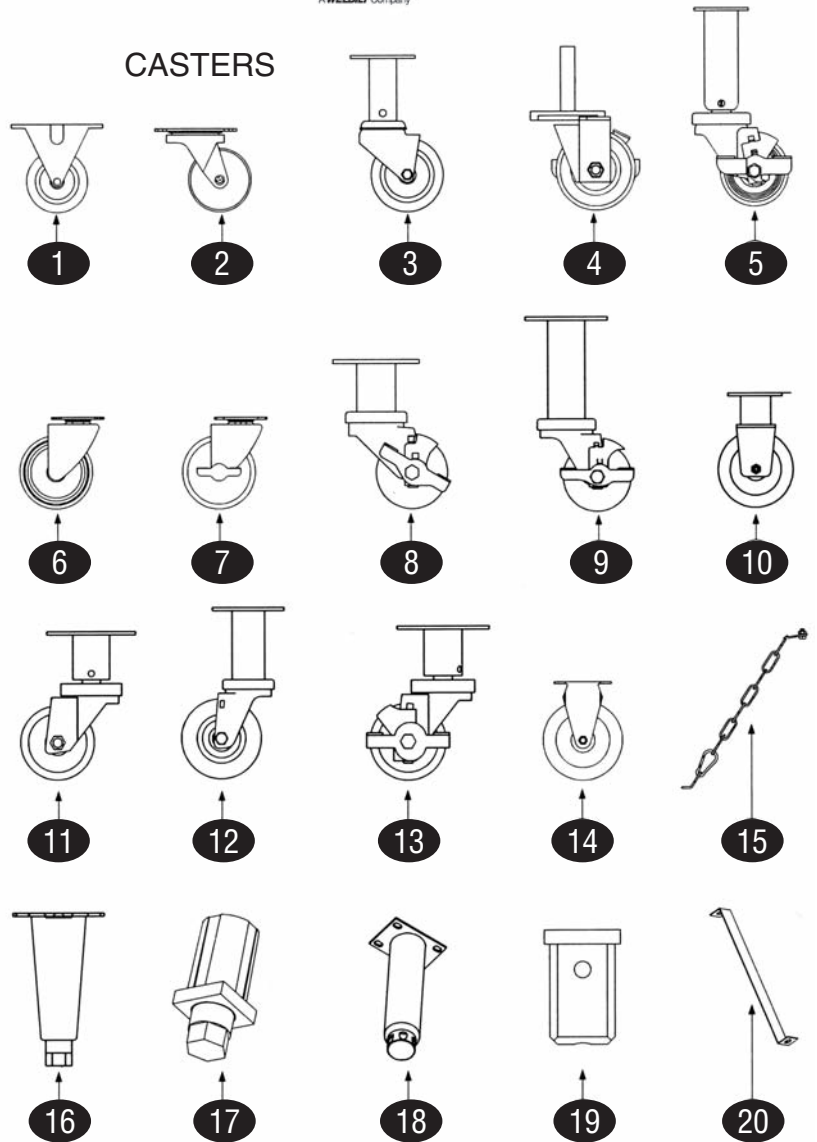
HAGAR

Frymaster
A WELBILT Company

ACCESSORIES



CASTERS



We supply **all parts** to the Frymaster Fryers. Please call our knowledgeable sales staff for assistance in part replacement. Please have model & serial # ready.

| KEY | PART # | DESCRIPTION | KEY | PART # | DESCRIPTION |
|-----|------------|--|-----|------------|---|
| A | FM803-0209 | Frypot Brush | 8 | FM810-0651 | Caster, w/Brake, 3" |
| B | H10132 | Measuring Cup, Plastic, #1040 | 9 | FM810-1239 | Caster, Swivel, w/Brake, Post 8-1/2" |
| C | FM803-0197 | Fryer Friend (Clean-out Rod), 27" | 10 | FM810-1242 | Caster, Rigid, w/Brake |
| D | H70023 | Fry Basket | 11 | FM810-1367 | Caster, Adjustable, w/out Brake, 3" |
| E | FM803-0113 | Sediment Tray, Full Vat, Electric | 12 | FM810-1494 | Caster, Post 4", Swivel, w/out Brake, 8-1/2" |
| F | FM803-0132 | Rack, Basket | 13 | FM810-1365 | Caster, Adjustable, w/Brake, 3" |
| n/s | H70086 | Filter Paper, pkg of 100 sheets | 14 | FM810-0378 | Caster, Wheel, Stationary Rigid, 5" |
| n/s | FM806-3068 | Cover, Full Vat Frypot (for S/N# 9700 & above) | 15 | FM826-0900 | Chain Restraint Kit (for use on Fryers w/casters) |
| 1 | FM810-2807 | Caster, Rigid, 2" | 16 | FM806-3811 | Legs, 4", set of 4 |
| 2 | FM810-2805 | Caster, Swivel, 2" | 17 | FM810-0007 | Leg, Adjustable (for 1-1/4"sq tubing) |
| 3 | FM810-0327 | Caster, Adjustable, w/out Brake, 4" | 18 | FM826-1234 | Leg, Adjustable w/hardware, 8-1/2" |
| 4 | FM810-1585 | Caster, Stud, w/Lock, Single FP, 3" | 19 | FM810-1414 | Insert, Square Leg, Baby Footprint |
| n/s | FM823-2844 | Caster, Stud, w/Brake, Single FP Electric | n/s | FM910-7925 | Leg, w/Caster, Front Filter, Single Footprint |
| 5 | FM810-0944 | Caster, Adjustable, w/Brake, 3" | n/s | FM910-1601 | Leg, Square, Front Filter Cabinet |
| 6 | FM810-0356 | Caster, Wheel, w/out Brake, 5" | n/s | FM910-8659 | Leg, Front Cabinet, Common Single FP Electric |
| 7 | FM810-0357 | Caster, Wheel, w/Brake, 5" | 20 | FM900-2941 | Strap, Anchor, Common Electric |
| | | | n/s | FM900-2941 | Strap, Anchor, Single Fryers w/Legs |