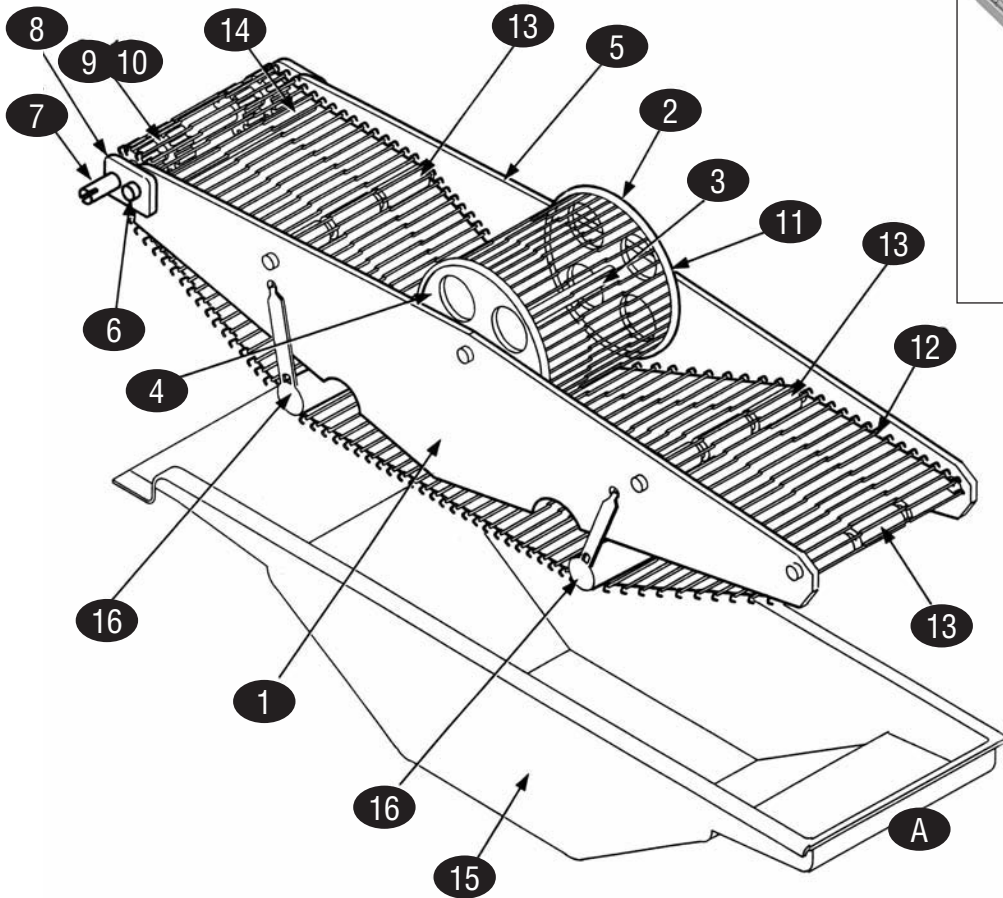
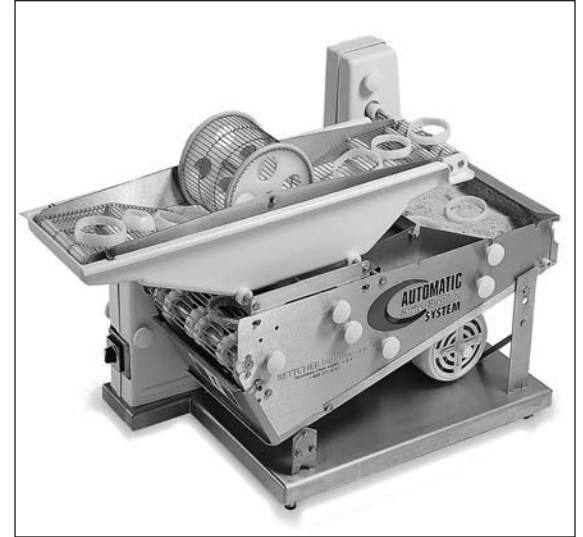


prep

ONION RING BATTER BREADER

BREADER CONVEYOR ASSEMBLY

HAGAR

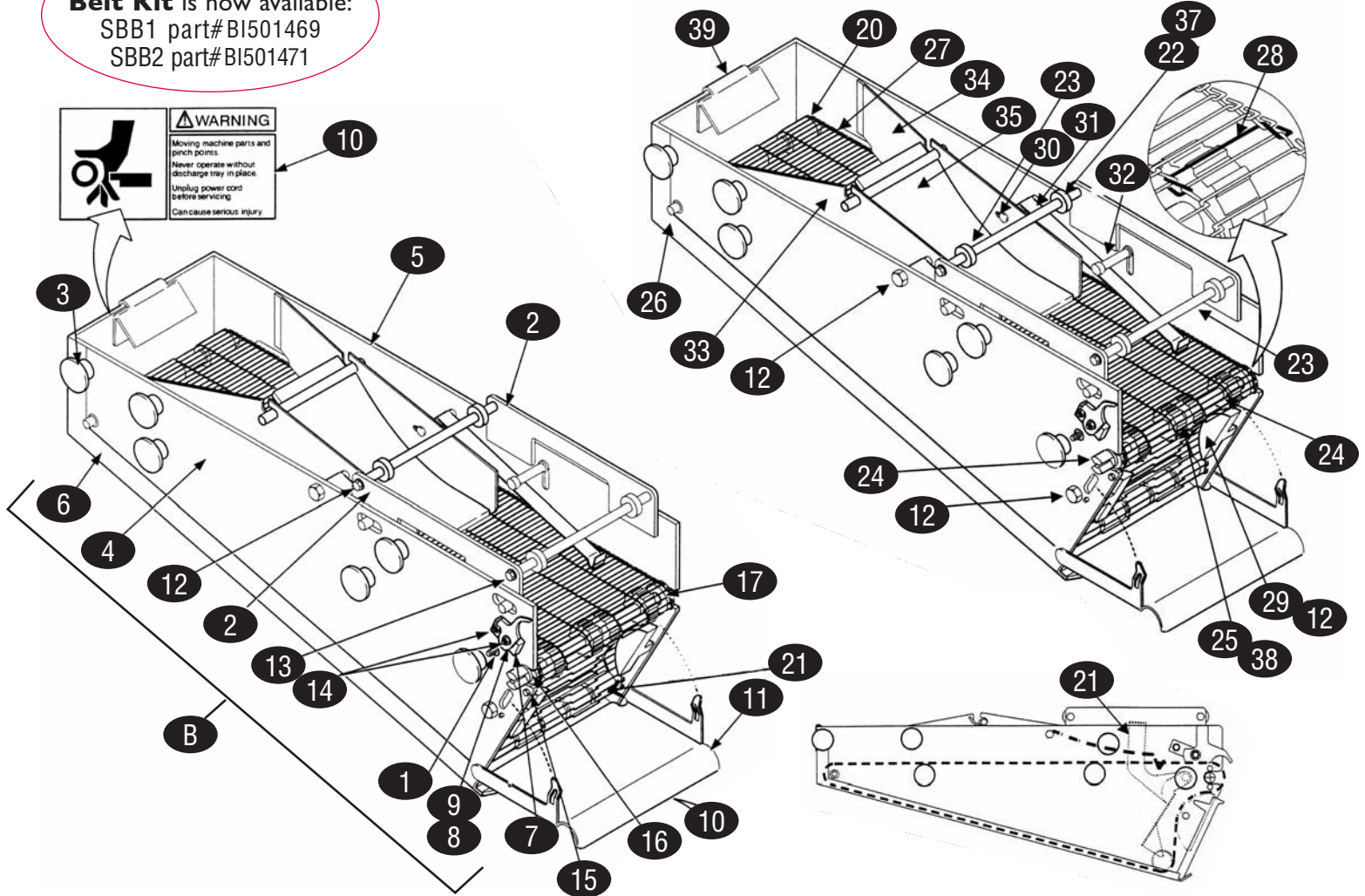


 **BETTCHER**
Industries, Inc.

KEY	PART #	DESCRIPTION	KEY	PART #	DESCRIPTION
A	BI500254	Complete Batter Conveyor Assembly, R Hand NOTE: Does not come with Batter Tank (must order Batter Tank separately).	n/s	BI500320	Technical Manual
n/s	BI500262	Complete Batter Conveyor Assembly, L Hand			
1	BI500299	Conveyor Side, Lefthand			
2	BI500303	O-Ring			
3	BI500294	Wheel Shaft			
4	BI500293	Batter Wheel Side			
5	BI500300	Conveyor Side, Righthand			
6	BI122764	Thumb Screw			
7	BI500295	Drive Shaft			
8	BI500296	Conveyor Bearing, Batter			
9	BI125915	Sprocket, 12T			
10	BI123131	Sprocket Set Screw, Slotted, 1/4-20x1/4 (2ea)			
11	BI500302	Batter Wheel Wire Belting, 6"x17"			
12	BI500304	Conveyor Wire Belting, 6"x57"			
13	BI500287	Cross Rod			
14	BI500288	Rod			
15	BI500693	Flat Bottom Batter Tank			
16	BI500443	Tensioner			

We supply **all parts** to the Bettcher Batter-Reader. Please call our knowledgeable sales staff for assistance for replacement parts.

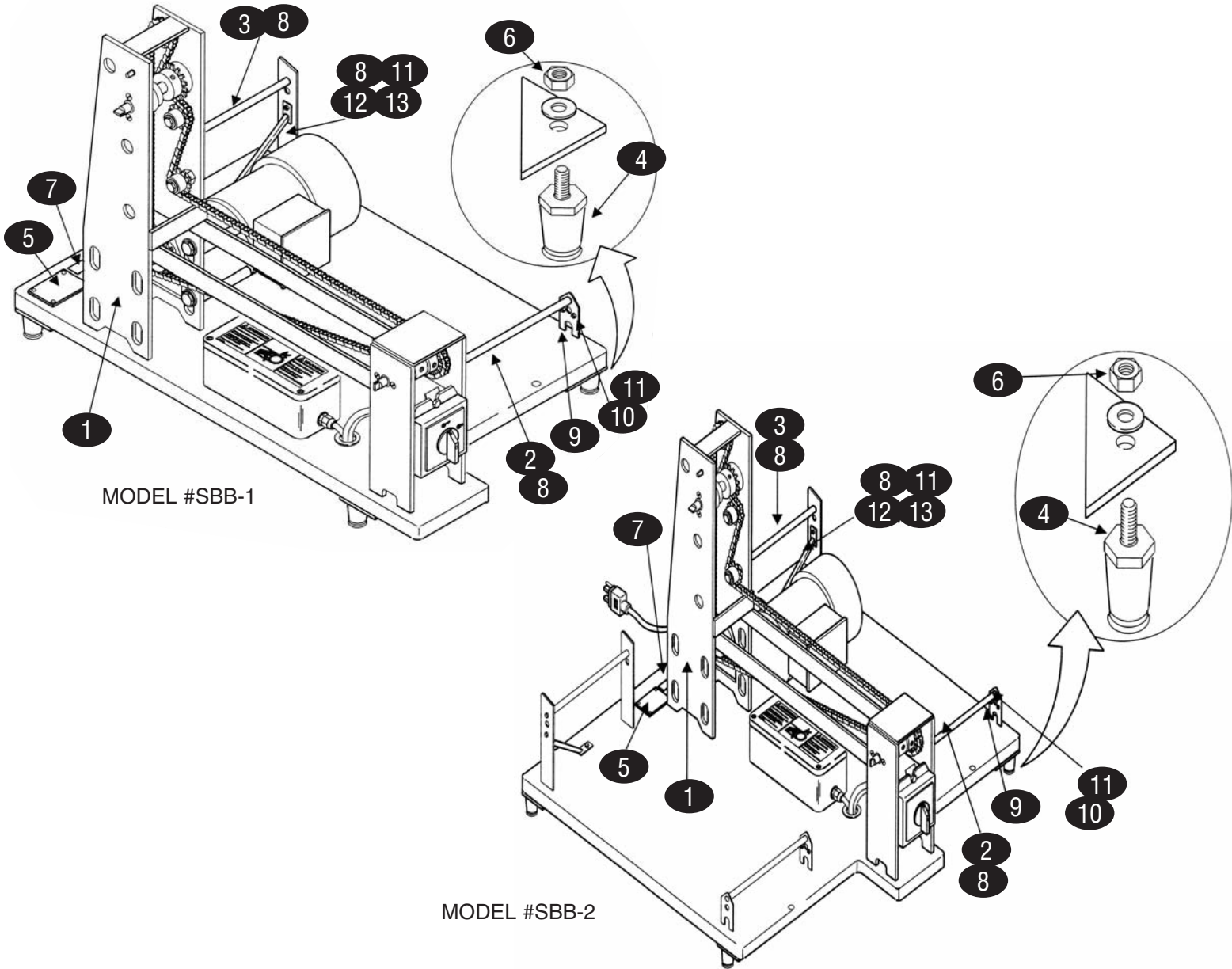
The new style **Belt Kit** is now available:
SBB1 part# BI501469
SBB2 part# BI501471



KEY	PART #	DESCRIPTION	KEY	PART #	DESCRIPTION
A	BI501202	Breader Assembly, Right Hand	20	BI500471	Belt Support Shaft
B	BI501203	Breader Assembly, Left Hand	21	BI500657	Unload Lever
1	BI500327	Deflector Lever Mounting Shaft	22	BI500323	Spacer
2	BI500696	Batter Tank Mount	23	BI500326	Mounting Shaft for Batter Tank
3	BI122283	Hand Knob	24	BI500446	Driven Shaft
4	BI500678	Side Rail, Right	25	BI125916	Sprocket
5	BI500679	Side Rail, Left	26	BI500472	Support Shaft Bearing
6	BI500354	Bottom Pan	27	BI501592	Wire Belt, Endless, New Style, 10"width
7	BI500333	Lever Mounting Spacer	28	BI125921	Splice Clip
8	BI500332	Pivot Bushing	29	BI500368	Chain Idler Block Assembly
9	BI500414	Latch Lever	30	BI500325	Support Shaft, Side Guide
10	BI500637	Pinch Hazard Label	31	BI500285	Vibrator Spring
11	BI500686	Discharge Tray	32	BI500284	Anchor for Vibrator Spring
12	BI120587	Screw, Hex Head, 1/4-20x5/8"	33	BI500384	Guide, Right Hand Side
13	BI123234	Screw, Hex Head, 1/4-20x1/2"	34	BI500383	Guide, Left Hand Side
14	BI500841	Lock Nut, Hex Head, 1/4-20"	35	BI500356	Tamper Plate
15	BI120785	Screw, Hex Head, 10-24x1/2"	37	BI123131	Set Screw, Slotted, 1/4-20x1/4"
16	BI500448	Bearing, 0.625width	38	BI123113	Sprocket Head Set Screw, Slotted, 5/16-18x1/2
17	BI500312	Bearing, 0.500width	39	BI500392	Spreader Plow
n/s	BI500313	Bearing, 1/2" Bore, 7/16"thick	n/s	BI500863	Breader Pan
n/s	BI500328	Lever Mounting Bracket			

FRAME ASSEMBLY

BETTCHEER
Industries, Inc.



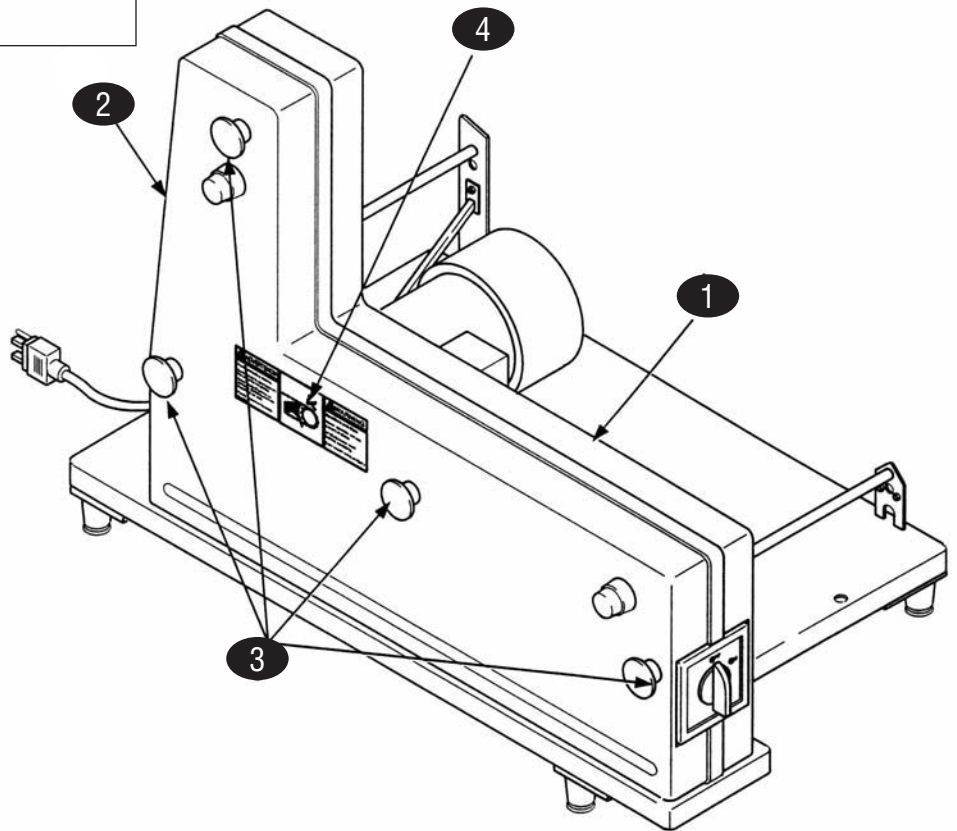
MODEL #SBB-1

MODEL #SBB-2

KEY	PART #	DESCRIPTION	KEY	PART #	DESCRIPTION
1	BI500492	Complete Frame Assembly	n/s	BI122600	Leg, 4"
2	BI500486	Frame Assembly, Welded	n/s	BI124876	Relay & Breaker
3	BI500340	Support Shaft, Feed End	n/s	BI124750	Power Switch
4	BI500309	Support Shaft			
5	BI500794	Leg Assembly, 1" Adjustable			
6	BI500506	Specification Plate			
7	BI500841	Hex Head Lock Nut, 1/4-20			
8	BI100093	NSF Seal			
9	BI120587	Hex Head Screw, 1/4-20x5/8 (n/s)			
10	BI500377	Adjustable Retaining Plate			
11	BI123234	Hex Head Washer, 1/4-20			
12	BI120304	ESNA Nut, 1/4-20 (n/s)			
13	BI500437	Support Brace, Solid Top			
	BI120261	Plain Washer, 1/4, (n/s)			



SBB
Batter Breader



KEY	PART #	DESCRIPTION	KEY	PART #	DESCRIPTION
1	BI500370	Right Drive Guard Cover, Motor Side			
2	BI500371	Left Drive Guard Cover, SBB-1			
	BI500441	Left Drive Guard Cover, SBB-2			
3	BI122283	Knob			
4	BI500636	Label, Chain Hazard			

SBB-I DRIVE COMPONENTS

SBB
Batter-Brader

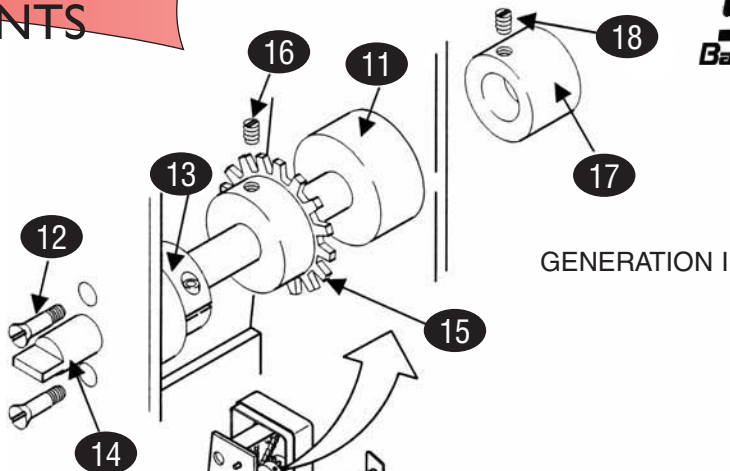
The new **Square Drive Shaft Conversion Kit** is now available!

SBB1: BI501409

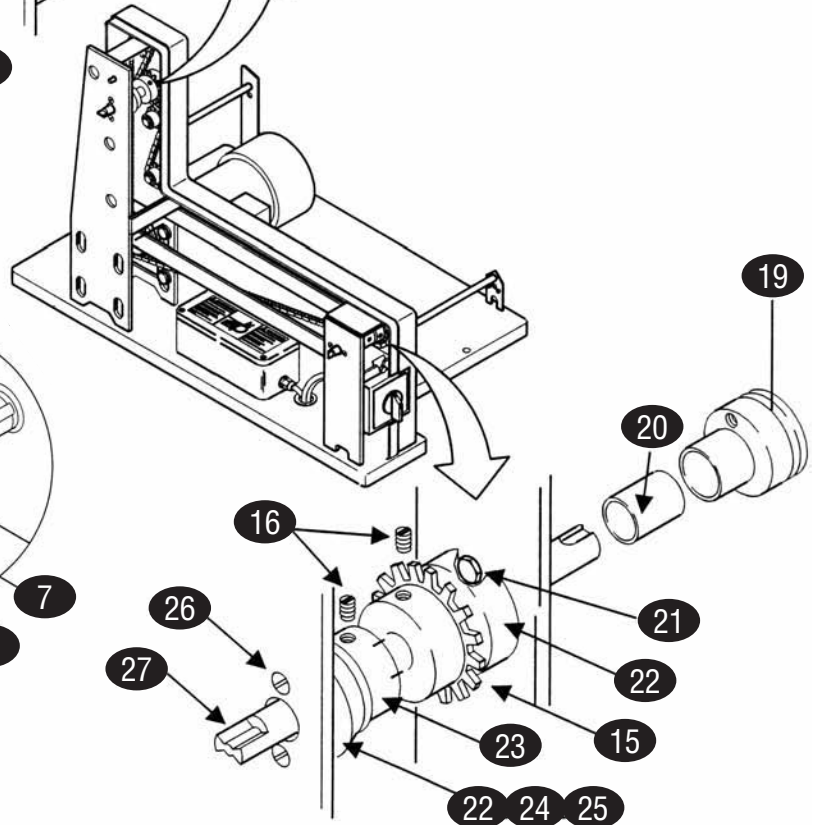
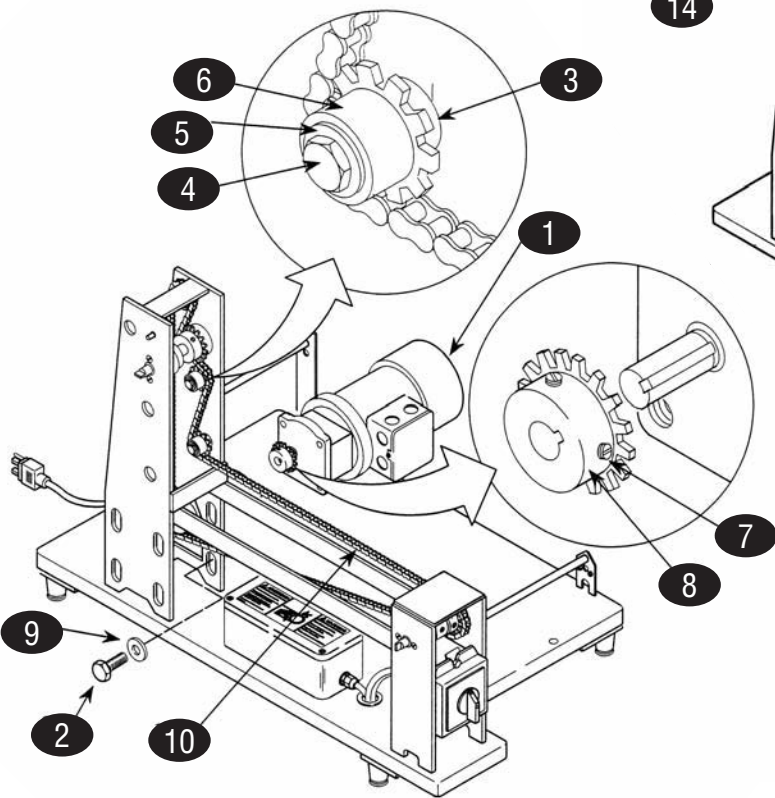
SBB2: BI501403

Please call our sales staff to order.

GENERATION III
SQUARE DRIVE KIT



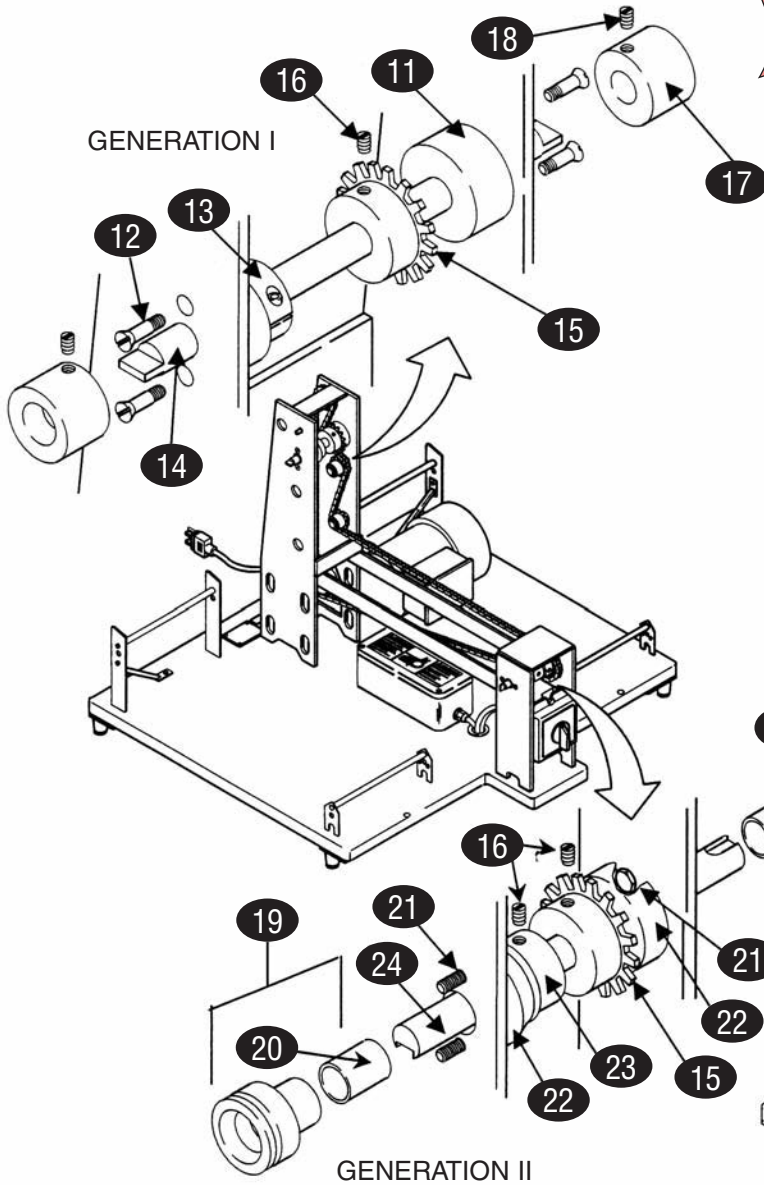
GENERATION I



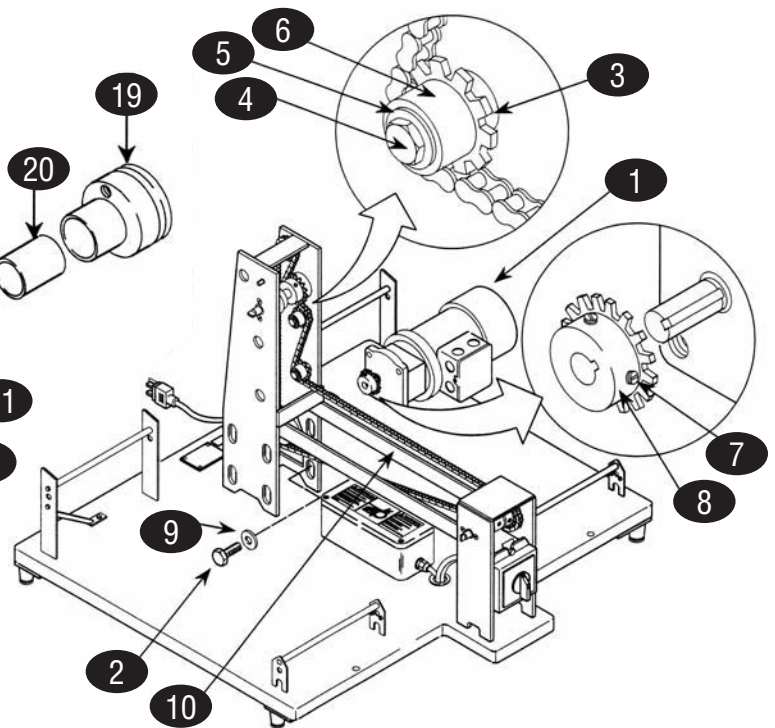
GENERATION II

KEY	PART #	DESCRIPTION	KEY	PART #	DESCRIPTION
1	BI500894	Motor Assembly w/Capacitor, 120V	14	BI500315	Drive Shaft, Old Style
2	BI120870	Screw, Hex Head, Gear Motor, 5/16-18x1/2	15	BI125920	Drive Sprocket, 15-tooth, Plated
3	BI500308	Idler Sprocket Mount	16	BI123108	Set Screw, Drive Sprocket, 1/4-20x1/2
4	BI121419	Hex Head Screw, 1/4-20x1/2	17	BI500307	Guide Sleeve
5	BI120261	Flat Washer, 1/4	18	BI123131	Set Screw, Guide Sleeve, 1/4-20x1/4
6	BI125918	Idler Sprocket	19	BI500417	Guide Bearing, S/S
7	BI123108	Set Screw, Sprocket, 1/4-20x1/2	20	BI121756	Bearing, Rulon
8	BI125922	Gear Motor Drive Sprocket, 20-tooth	21	BI120785	Screw, Hex Head, 10-24x1/2
	BI125924	Gear Motor Drive Sprocket, 23-tooth	22	BI500420	Thrust Bearing
	BI125939	Gear Motor Drive Sprocket, 28-tooth	23	BI500421	Drive Shaft Spacer
9	BI120258	Flat Washer, Gear Motor Mounting, 5/16	24	BI500410	Bearing Assembly
10	BI500339	Chain w/Connecting Link	25	BI121755	Bearing
11	BI500312	Bearing, .500width	26	BI123242	Screw, Flat Head, 10-24x3/8
12	BI123233	Screw, Flat Head, 10-24x1/2	27	BI500447	Drive Shaft
13	BI122038	Split Clamp Collar			

SBB-2 DRIVE COMPONENTS



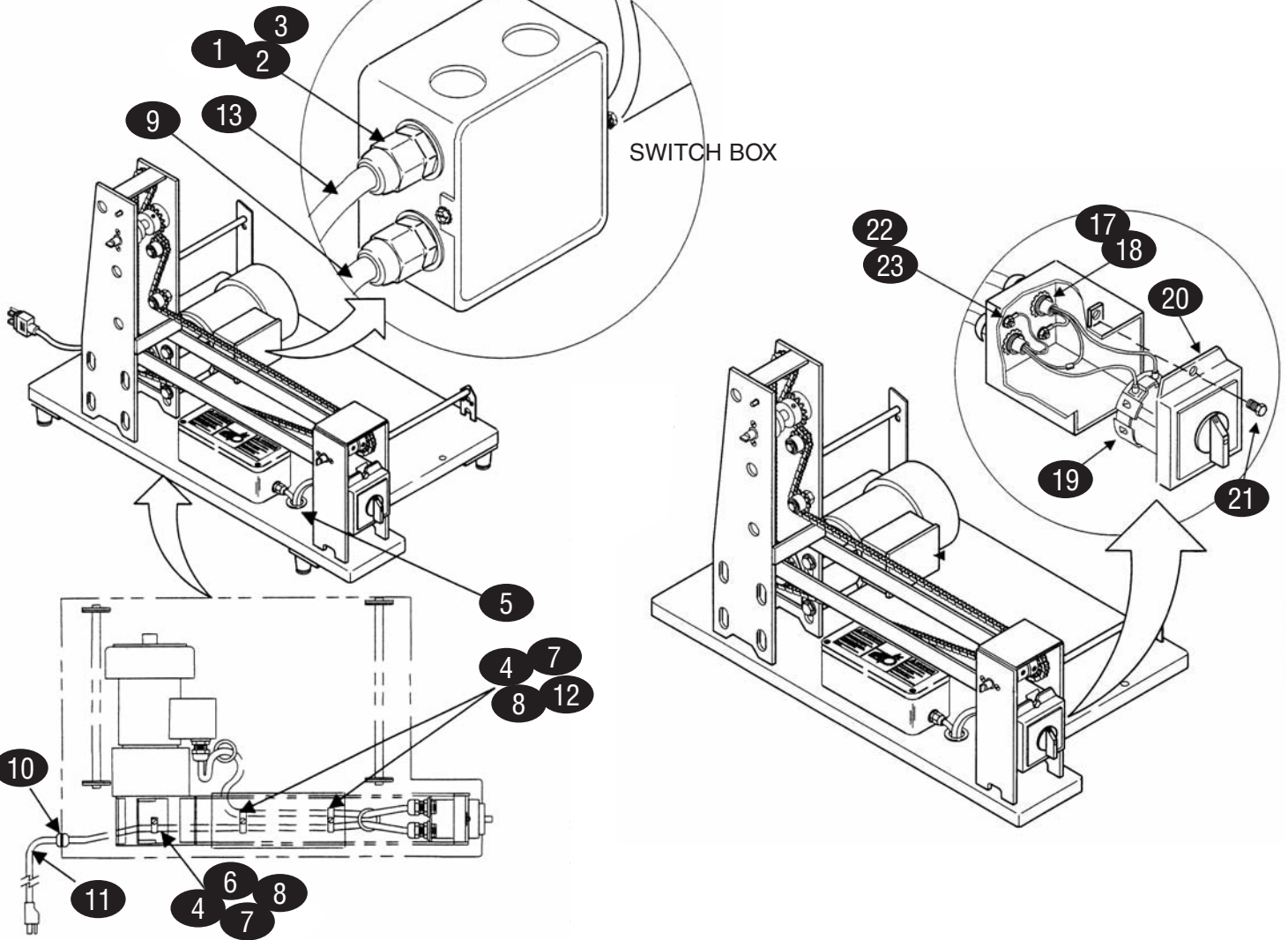
The **Generation III Square Drive Kit** is now available!
 SBB1: B1501409
 SBB2: B1501403
 Please



KEY	PART #	DESCRIPTION	KEY	PART #	DESCRIPTION
1	B1500894	Motor Assembly w/Capacitor, 120V	16	B1123108	Set Screw, Drive Sprocket, 1/4-20x1/2
2	B1120870	Hex Head Screw, Gear Motor, 5/16-18x1/2	17	B1500307	Guide Sleeve
3	B1500308	Idler Sprocket Mount	18	B1123131	Set Screw, Guide Sleeve, 1/4-20x1/4
4	B1121419	Screw, Hex Head, 1/4-20x1/2	19	B1500417	Guide Bearing, S/S
5	B1120261	Flat Washer, 1/4	20	B1121756	Bearing, Rulon
6	B1125918	Idler Sprocket	21	B1120785	Screw, Hex Head, 10-24x1/2
7	B1123108	Set Screw, Sprocket, 1/4-20x1/2	22	B1500420	Thrust Bearing
8	B1125922	Gear Motor Drive Sprocket, 20-tooth	23	B1500421	Drive Shaft Spacer
9	B1120258	Flat Washer, Gear Motor Mounting, 5/16	24	B1500447	Drive Shaft
10	B1500339	Chain w/Connecting Link			
11	B1500312	Bearing, .500width			
12	B1123233	Screw, Flat Head, 10-24x1/2			
13	B1122038	Split Clamp Collar			
14	B1500315	Drive Shaft			
15	B1125920	Drive Sprocket, 15-tooth, Plated			

MOTOR CONNECTIONS

BETTCHEER
Industries, Inc.



KEY	PART #	DESCRIPTION	KEY	PART #	DESCRIPTION
1	BI124751	Connector, 1/2 Straight	22	BI120760	Screw, Ground Wire, #10-24x3/8"
2	BI105245	Seal, 1/2 Conduit	23	BI120232	Washer, Ground Wire, #10 External Tooth
3	BI122653	Locknut, 1/2 Conduit			
4	BI120784	Screw, Hex Head, #10-24x5/8"			
5	BI124744	Snap Bushing			
6	BI125078	Cable Clamp			
7	BI120281	Washer, Plain, #10			
8	BI120330	Nut, #10-24			
9	BI500761	Motor Cord, 115v			
10	BI124746	Power Cord Strain Relief			
11	BI500760	Power Cord, 115V			
12	BI123831	Cable Clamp			
13	BI500672	Cord Assembly for Capacitor			
n/s	BI123219	Screw, Flat Head, #10-24x5/8"			
17	BI124751	Connector, 1/2 Straight			
18	BI105245	Seal, 1/2 Conduit			
19	BI124750	Power Switch Assembly, 2-Position, 115v			
20	BI500344	Power Switch Cover Assembly			
21	BI120784	Screw, Hex Head, #10-24x5/8"			